

## **HAC 830**

Robust Multi-Purpose Programmable  
Linear Hall-Effect Sensor  
with Integrated Capacitors

---

## Copyright, Warranty, and Limitation of Liability

The information and data contained in this document are believed to be accurate and reliable. The software and proprietary information contained therein may be protected by copyright, patent, trademark and/or other intellectual property rights of TDK-Micronas. All rights not expressly granted remain reserved by TDK-Micronas.

TDK-Micronas assumes no liability for errors and gives no warranty representation or guarantee regarding the suitability of its products for any particular purpose due to these specifications.

By this publication, TDK-Micronas does not assume responsibility for patent infringements or other rights of third parties which may result from its use. Commercial conditions, product availability and delivery are exclusively subject to the respective order confirmation.

Any information and data which may be provided in the document can and do vary in different applications, and actual performance may vary over time.

All operating parameters must be validated for each customer application by customers' technical experts. Any new issue of this document invalidates previous issues. TDK-Micronas reserves the right to review this document and to make changes to the document's content at any time without obligation to notify any person or entity of such revision or changes. For further advice please contact us directly.

Do not use our products in life-supporting systems, military, aviation, or aerospace applications! Unless explicitly agreed to otherwise in writing between the parties, TDK-Micronas' products are not designed, intended or authorized for use as components in systems intended for surgical implants into the body, or other applications intended to support or sustain life, or for any other application in which the failure of the product could create a situation where personal injury or death could occur.

No part of this publication may be reproduced, photocopied, stored on a retrieval system or transmitted without the express written consent of TDK-Micronas.

## TDK-Micronas Patents

EP0 953 848, EP 1 039 357, EP 1 575 013

## Third-Party Trademarks

All other brand and product names or company names may be trademarks of their respective companies.

**Contents**

<b>Page</b>	<b>Section</b>	<b>Title</b>
<b>4</b>	<b>1.</b>	<b>Introduction</b>
5	1.1.	General Features
5	1.2.	Applications
<b>6</b>	<b>2.</b>	<b>Ordering Information</b>
6	2.1.	Device-Specific Ordering Codes
<b>8</b>	<b>3.</b>	<b>Functional Description</b>
8	3.1.	General Function
11	3.2.	A/D Converter
12	3.3.	Digital Signal Processing and EEPROM
18	3.4.	Calibration Procedure
18	3.4.1.	General Procedure
<b>21</b>	<b>4.</b>	<b>Specifications</b>
21	4.1.	Outline Dimensions
23	4.2.	Soldering, Welding and Assembly
23	4.3.	Pin Connections and Short Descriptions
23	4.4.	Dimension of Sensitive Area
24	4.5.	Absolute Maximum Ratings
25	4.6.	Storage and Shelf Life
25	4.7.	Recommended Operating Conditions
26	4.8.	Characteristics
27	4.8.1.	Additional Information
28	4.8.2.	TO92UP Packages
28	4.8.3.	Definition of Sensitivity Error ES
30	4.8.4.	Power-On Operation
31	4.9.	Diagnostics and Safety Features
31	4.9.1.	Overvoltage and Undervoltage Detection
31	4.9.2.	Open-Circuit Detection
32	4.9.3.	Over temperature and Short-Circuit Protection
32	4.9.4.	EEPROM Redundancy
32	4.9.5.	ADC Diagnostic
<b>33</b>	<b>5.</b>	<b>Application Notes</b>
33	5.1.	Application Circuit
34	5.2.	Use of two HAC 830 in Parallel
35	5.3.	Temperature Compensation
37	5.4.	Ambient Temperature
37	5.5.	EMC and ESD
<b>38</b>	<b>6.</b>	<b>Programming</b>
38	6.1.	Definition of Programming Pulses
38	6.2.	Definition of the Telegram
41	6.3.	Telegram Codes
42	6.4.	Number Formats
43	6.5.	Register Information
47	6.6.	Programming Information
<b>48</b>	<b>7.</b>	<b>Document History</b>

---

## Robust Multi-Purpose Programmable Linear Hall-Effect Sensor with Integrated Capacitors

---

**Release Note: Revision bars indicate significant changes to the previous edition.**

---

### 1. Introduction

The HAC 830 is a programmable linear Hall sensor from TDK-Micronas. It offers optimal Electromagnetic Compatibility (EMC) protection as it integrates the HAL 830 robust multipurpose device as well as decoupling capacitors within a single 3-pin package.

With its integrated capacitors, the HAC 830 meets the stringent ESD and EMC requirements and eliminates the need for a PCB, thus reducing the total system size and cost.

The HAC 830 is a magnetic field sensor based on the Hall effect featuring a linear output. The integrated circuit (IC) can be used for angle or distance measurements when combined with a rotating or moving magnet. There is no need either to add a load capacitor between ground and the analog output or any blocking capacitor to suppress noise on the supply line of the device.

The major characteristics like magnetic field range, sensitivity, output quiescent voltage (output voltage at  $B = 0$  mT), and output voltage range are programmable in a non-volatile memory. The sensors have a ratiometric output characteristic, which means that the output voltage is proportional to the magnetic flux and the supply voltage.

The HAC 830 features a temperature-compensated Hall plate with spinning-current offset compensation, an A/D converter, digital signal processing, a D/A converter with output driver, an EEPROM memory with redundancy and lock function for the calibration data, an EEPROM for customer serial number, a serial interface for programming the EEPROM, protection devices at all pins and decoupling capacitors.

The HAC 830 is programmable by modulating the supply voltage. No additional programming pin is needed. The easy programmability allows a 2-point calibration by adjusting the output voltage directly to the input signal (like mechanical angle, distance, or current). Individual adjustment of each sensor during the customer's manufacturing process is possible. With this calibration procedure, the tolerances of the sensor, the magnet, and the mechanical positioning can be compensated in the final assembly. It is possible to program several devices connected to the same supply and ground line.

In addition, the temperature compensation of the Hall IC can be fit to common magnetic materials by programming first- and second-order temperature coefficients of the Hall sensor sensitivity. This enables operation over the full temperature range with high accuracy.

The calculation of the individual sensor characteristics and the programming of the EEPROM memory can easily be done with a PC and the application kit from TDK-Micronas.

---

The sensor is designed for hostile industrial and automotive applications and is AECQ100 qualified. It operates with typically 5 V supply voltage in the ambient temperature range from  $-40\text{ }^{\circ}\text{C}$  up to  $150\text{ }^{\circ}\text{C}$ . It is available in the very small 3-pin package TO92UP-2.

## 1.1. General Features

- High-precision linear Hall-effect sensor with 12 bit ratiometric analog output and digital signal processing
- Multiple programmable magnetic characteristics in a non-volatile memory (EEPROM) with redundancy and lock function
- Integrated capacitors for improved Electromagnetic Compatibility (EMC) and PCB-less applications
- Operates from  $-40\text{ }^{\circ}\text{C}$  up to  $150\text{ }^{\circ}\text{C}$  ambient temperature
- Operates from 4.5 V up to 5.5 V supply voltage in specification and functions up to 8.5 V
- Operates with static magnetic fields and dynamic magnetic fields up to 2 kHz
- Programmable magnetic field range from  $\pm 30\text{ mT}$  up to  $\pm 150\text{ mT}$
- Open-circuit (ground and supply line break detection) with  $5\text{ k}\Omega$  pull-up and pull-down resistor, overvoltage and undervoltage detection
- For programming an individual sensor within several sensors in parallel to the same supply voltage, a selection can be done via the output pin
- Temperature characteristics are programmable for matching common magnetic materials
- Programmable clamping function
- Programming via modulation of the supply voltage
- Overvoltage- and reverse-voltage protection at all pins
- Magnetic characteristics extremely robust against mechanical stress
- Short-circuit protected push-pull output
- EMC and ESD optimized design

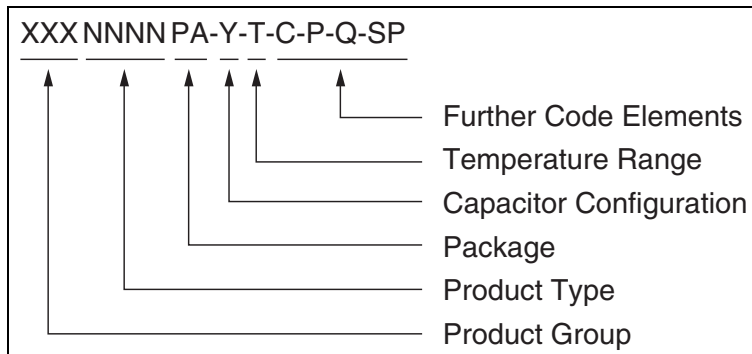
## 1.2. Applications

Due to the sensor's versatile programming characteristics and low temperature drift, the HAC 830 is the optimal system solution for PCB-less applications such as:

- Pedal, turbo-charger, throttle and EGR systems
- Distance measurements

## 2. Ordering Information

A Micronas device is available in a variety of delivery forms. They are distinguished by a specific ordering code:



**Fig. 2–1:** Ordering Code Principle

For a detailed information, please refer to the brochure:

“Micronas Sensors and Controllers: Ordering Codes, Packaging, Handling”.

### 2.1. Device-Specific Ordering Codes

The HAC 830 is available in the following package, capacitor, and temperature variants.

**Table 2–1:** Available packages

Package Code (PA)	Package Type
CV	TO92UP-2

Values of the capacitors from VSUP to GND and OUT to GND are uniquely identified by a letter added within the Hall sensor package code, according to the description in Fig. 2–1.

**Table 2–2:** Available capacitor configurations

Capacitance Code (Y)	Capacitor from VSUP to GND	Capacitor from OUT to GND
M	100 nF	100 nF

**Table 2–3:** Available temperature ranges

Temperature Code (T)	Temperature Range
A	$T_J = -40\text{ °C to }170\text{ °C}$

The relationship between ambient temperature ( $T_A$ ) and junction temperature ( $T_J$ ) is explained in Section 5.4. on page 37.

For available variants for Configuration (C), Packaging (P), Quantity (Q), and Special Procedure (SP) please contact TDK-Micronas.

**Table 2–4:** Available ordering codes and corresponding package marking

Available Ordering Codes	Package Marking
HAC830CV-M-A-[C-P-Q-SP]	830MA

## 3. Functional Description

### 3.1. General Function

The HAC 830 programmable linear Hall-effect sensor provides an output signal proportional to the magnetic flux through the Hall plate and proportional to the supply voltage (ratiometric behavior) as long as the analog output mode is selected.

The external magnetic field component perpendicular to the branded side of the package generates a Hall voltage. The Hall ICs are sensitive to magnetic north and south polarity. The Hall voltage is converted to a digital value, processed in the Digital Signal Processing Unit (DSP) according to the settings of the EEPROM registers, converted to an output signal. The function and parameters for the DSP are explained in Section 3.2. on page 11.

The setting of the LOCK register disables the programming of the EEPROM memory for all time. It also disables the reading of the memory. This register cannot be reset.

As long as the LOCK register is not set, the output characteristic can be adjusted by programming the EEPROM registers. The IC is addressed by modulating the supply voltage (see Fig. 3–1). In the supply voltage range from 4.5 V up to 5.5 V, the sensor generates a normal output signal. After detecting a command, the sensor reads or writes the memory and answers with a digital signal on the output pin (see also application note “HAL 8xy, HAL 100x Programmer Board”). The output switches from analog to digital during the communication. Several sensors in parallel to the same supply and ground line can be programmed individually. The selection of each sensor is done via its output pin.

The open-circuit detection function provides a defined output voltage for the analog output if the VSUP or GND lines are broken. Internal temperature compensation circuitry and spinning-current offset compensation enable operation over the full temperature range with minimal changes in accuracy and high offset stability. The circuitry also reduces offset shifts due to mechanical stress from the package. The non-volatile memory consists of redundant and non-redundant EEPROM cells. The non-redundant EEPROM cells are only used to store production information for tracking inside the sensor. In addition, the sensor IC is equipped with devices for overvoltage and reverse-voltage protection at all pins.

To improve EMC performance HAC 830 devices integrate two capacitors within the package, between VSUP and GND and OUT and GND respectively.



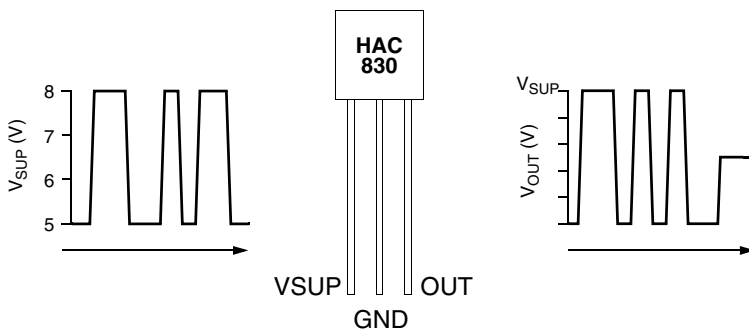


Fig. 3–1: Programming with  $V_{SUP}$  modulation

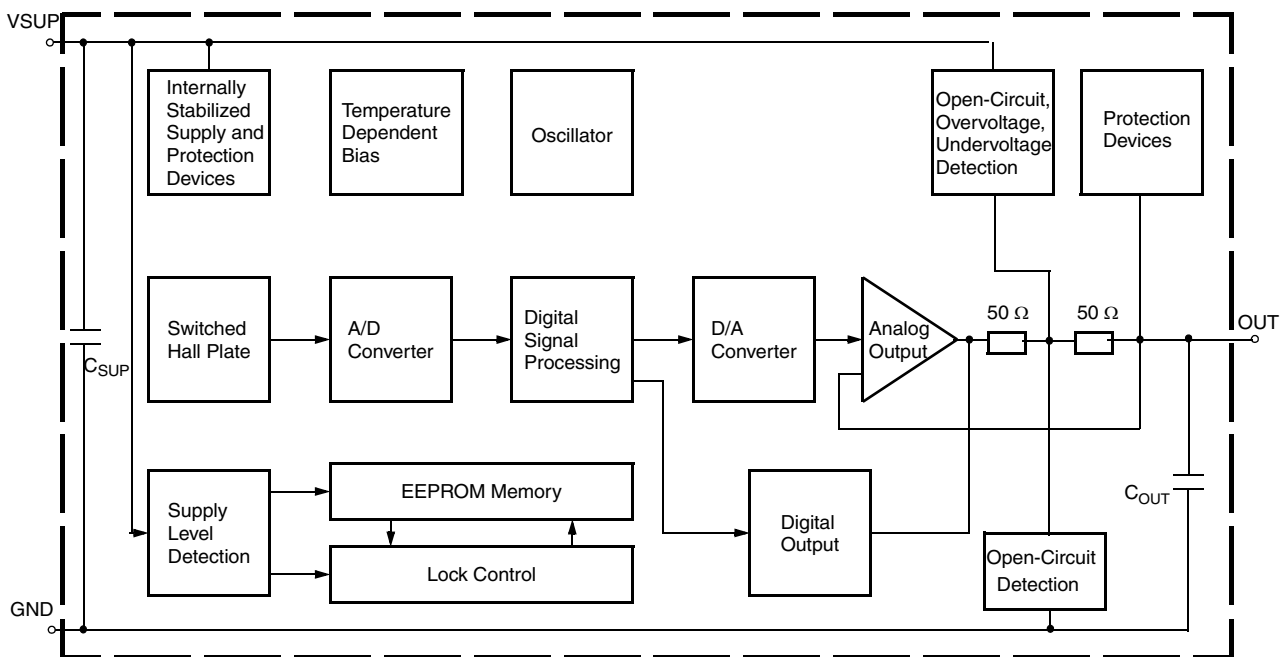


Fig. 3–2: HAC 830 block diagram

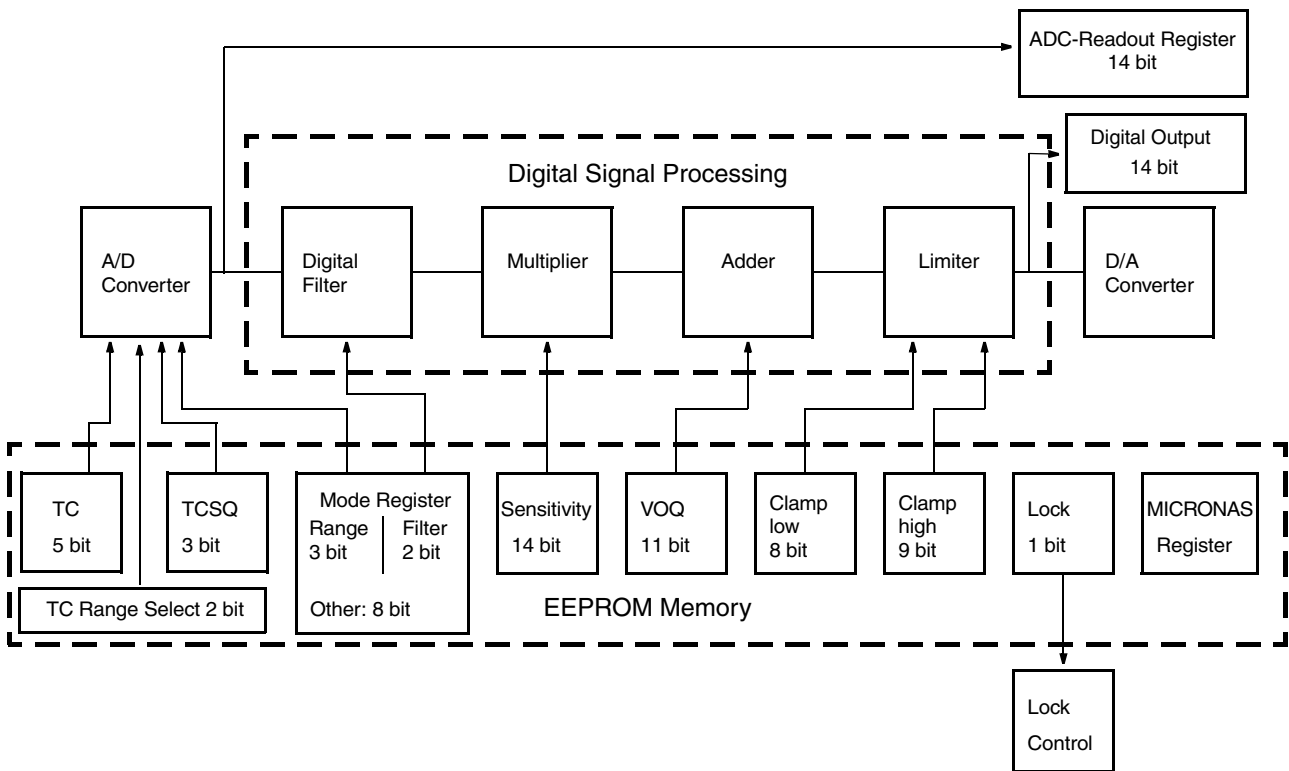


Fig. 3–3: Details of EEPROM registers and digital signal processing

### 3.2. A/D Converter

The ADC used in HAC 830 sensor has a “Sigma-Delta” architecture. It delivers an over-sampled multi-bit stream with high-frequency shaped quantization noise. Low-pass filtering performs an averaging of the signal by accumulation. With longer accumulation the resolution of the data converter increases.

The accumulation takes place in the decimating filter, the low-pass filter, and the external RC-filter.

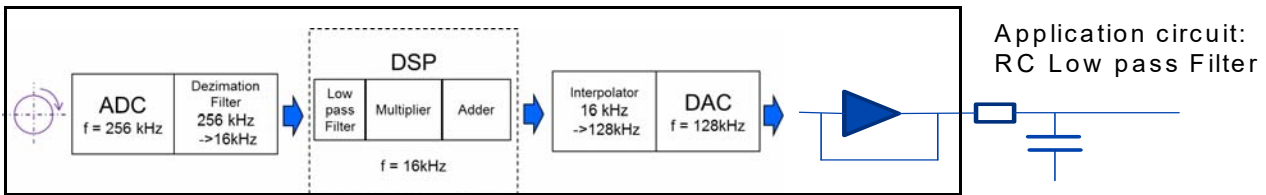


Fig. 3–4: Signal path

Example of a Sigma-Delta-ADC (simplified illustration)

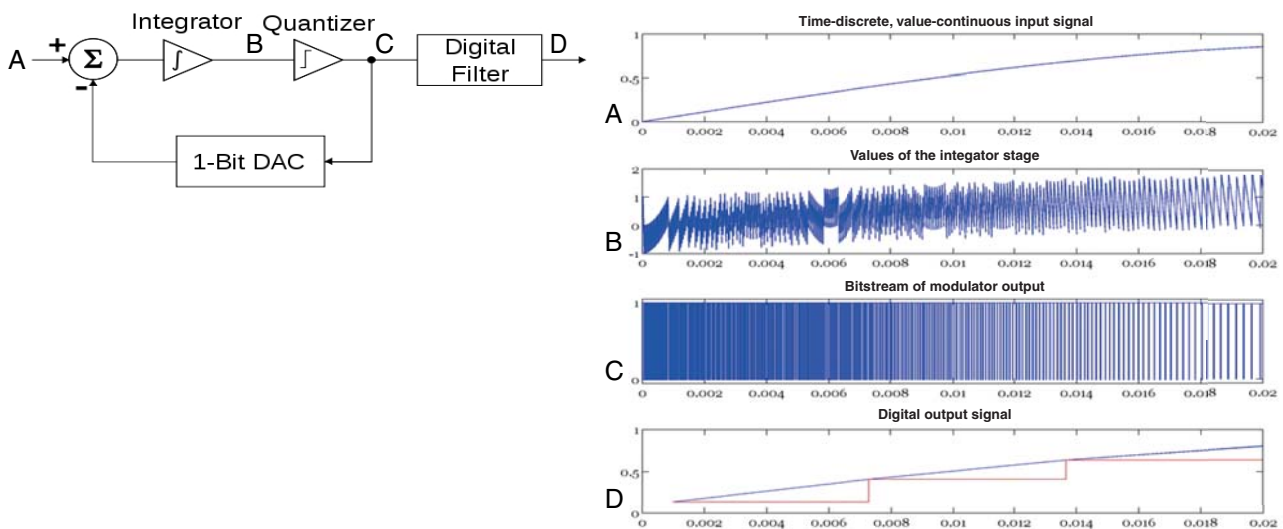


Fig. 3–5: Sigma-Delta-ADC

- A: Input Signal
- B: Integrated value
- C: High frequency data stream (modulated)

After filtering (D), the signal is reconstructed: the lower the cutoff frequency of this filter the higher is the resolution.

The A/D readout of the sensor is a snapshot of the explained data stream.

### 3.3. Digital Signal Processing and EEPROM

The DSP performs signal conditioning and allows adaption of the sensor to the customer application. The parameters for the DSP are stored in the EEPROM registers. The details are shown in Fig. 3–3.

#### Terminology:

**SENSITIVITY:** name of the register or register value

**Sensitivity:** name of the parameter

The EEPROM registers consist of four groups:

Group 1 contains the registers for the adaptation of the sensor to the magnetic system: MODE for selecting the magnetic field range and filter frequency, TC, TCSQ and TC-Range for the temperature characteristics of the magnetic sensitivity.

Group 2 contains the registers for defining the output characteristics: SENSITIVITY, VOQ, CLAMP-LOW (MIN-OUT), CLAMP-HIGH (MAX-OUT) and OUTPUT MODE. The output characteristic of the sensor is defined by these parameters.

- The parameter  $V_{OQ}$  (Output Quiescent Voltage) corresponds to the output signal at  $B = 0$  mT.
- The parameter Sensitivity defines the magnetic sensitivity:

$$Sensitivity = \frac{\Delta V_{OUT}}{\Delta B}$$

- The output voltage can be calculated as:

$$V_{OUT} \sim Sensitivity \times B + V_{OQ}$$

The output voltage range can be clamped by setting the registers CLAMP-LOW and CLAMP-HIGH in order to enable failure detection (such as short-circuits to VSUP or GND and open connections).

Group 3 contains the general purpose register GP. The GP Register can be used to store customer information, like a serial number after manufacturing. TDK-Micronas will use this GP REGISTER to store informations like, lot number, wafer number, x and y position of the die on the wafer, etc. This information can be read by the customer and stored in its own data base or it can stay in the sensor as is.

Group 4 contains the MICRONAS registers and LOCK for the locking of all registers. The MICRONAS registers are programmed and locked during production. These registers are used for oscillator frequency trimming, A/D converter offset compensation, and several other special settings.

---

An external magnetic field generates a Hall voltage on the Hall plate. The ADC converts the amplified positive or negative Hall voltage (operates with magnetic north and south poles at the branded side of the package) to a digital value. This value can be read by the A/D-READOUT register to ensure that the suitable converter modulation is achieved. The digital signal is filtered in the internal low-pass filter and manipulated according to the settings stored in the EEPROM. The digital value after signal processing is readable in the D/A-READOUT register. The operating range of the A/D converter is from  $\pm 30$  mT up to  $\pm 150$  mT.

During further processing, the digital signal is multiplied with the sensitivity factor, added to the quiescent output voltage level and limited according to the clamping voltage levels. The result is converted to an analog signal and stabilized by a push-pull output stage transistor stage.

The D/A-READOUT at any given magnetic field depends on the programmed magnetic field range, the low-pass filter, Sensitivity, VOQ, TC, Clamp-Low, and Clamp-High values. The D/A-READOUT range is min. 0 and max. 16383.

---

**Note** During application design, it should be taken into consideration that the maximum and minimum D/A-READOUT should not violate the error band of the operational range.

---

## MODE register

The MODE register contains all bits used to configure the A/D converter and the different output modes.

**Table 3–1:** MODE register of HAC 830

MODE										
Bit Number	9	8	7	6	5	4	3	2	1	0
Parameter	RANGE	Reserved	OUTPUT-MODE			FILTER		RANGE (together with bit 9)		Reserved

## Magnetic Range

The RANGE bits define the magnetic field range of the A/D converter.

**Table 3–2:** Magnetic Range HAC 830

Magnetic Range	RANGE	
MODE	MODE [9]	MODE [2:1]
±30 mT	0	00
±60 mT	0	01
±80 mT	0	10
±100 mT	0	11
±150 mT	1	11

## Filter

The FILTER bits define the –3 dB frequency of the digital low pass filter.

**Table 3–3:** FILTER bits defining the –3 dB frequency

–3 dB Frequency	MODE [4:3]
80 Hz	00
500 Hz	10
1 kHz	11
2 kHz	01

## Output Format

The OUTPUTMODE bits define the different output modes of HAC 830.

**Table 3–4:** OUTPUTMODE for HAC 830

Output Format	MODE [7:5]
Analog Output (12 bit)	000

In **Analog Output** mode the sensor provides a ratiometric 12 bit analog output voltage between 0 V and 5 V.

## TC Register

The temperature dependence of the magnetic sensitivity can be adapted to different magnetic materials in order to compensate for the change of the magnetic strength with temperature. The adaptation is done by programming the TC (Temperature Coefficient) and the TCSQ registers (Quadratic Temperature Coefficient). Thereby, the slope and the curvature of the temperature dependence of the magnetic sensitivity can be matched to the magnet and the sensor assembly. As a result, the output voltage characteristic can be constant over the full temperature range. The sensor can compensate for linear temperature coefficients ranging from about  $-3100$  ppm/K up to  $1000$  ppm/K and quadratic coefficients from about  $-7$  ppm/K<sup>2</sup> to  $2$  ppm/K<sup>2</sup>.

The full TC range is separated in the following four TC range groups (see Table 3–5 and Table 5–1 on page 35).

**Table 3–5:** TC-Range Groups

TC-Range [ppm/k]	TC-Range Group (see also Table 5–1 on page 35)
$-3100$ to $-1800$	0
$-1750$ to $-550$	2
$-500$ to $+450$ (default value)	1
$+450$ to $+1000$	3

TC (5 bit) and TCSQ (3 bit) have to be selected individually within each of the four ranges. For example  $0$  ppm/k requires TC-Range = 1, TC = 15 and TCSQ = 1. Please refer to Section 5.3. for more details.

## Sensitivity

The SENSITIVITY register contains the parameter for the multiplier in the DSP. The Sensitivity is programmable between  $-4$  and  $4$ . For  $V_{SUP} = 5\text{ V}$ , the register can be changed in steps of  $0.00049$ .

For all calculations, the digital value from the magnetic field of the D/A converter is used. This digital information is readable from the D/A-READOUT register.

$$\text{SENSITIVITY} = \frac{\Delta V_{OUT} \times 16383}{(\Delta \text{D/A-READOUT} \times V_{DD})} \times \text{Sens}_{INITIAL}$$

## VOQ

The VOQ register contains the parameter for the adder in the DSP.  $V_{OQ}$  is the output signal without external magnetic field ( $B = 0\text{ mT}$ ) and programmable from  $-V_{SUP}$  ( $-100\%$  duty-cycle) up to  $V_{SUP}$  ( $100\%$  duty-cycle). For  $V_{SUP} = 5\text{ V}$ , the register can be changed in steps of  $4.9\text{ mV}$  ( $0.05\%$  duty-cycle).

**Note:** If  $V_{OQ}$  is programmed to a negative value, the maximum output signal is limited to:

$$V_{OUTmax} = V_{OQ} + V_{SUP}$$

## Clamping Levels

The output signal range can be clamped in order to detect failures like shorts to  $V_{SUP}$  or GND or an open circuit.

The CLAMP-LOW register contains the parameter for the lower limit. The lower clamping limit is programmable between  $0\text{ V}$  (min. duty-cycle) and  $V_{SUP}/2$  ( $50\%$  duty-cycle). For  $V_{SUP} = 5\text{ V}$ , the register can be changed in steps of  $9.77\text{ mV}$  ( $0.195\%$  duty-cycle).

The CLAMP-HIGH register contains the parameter for the upper limit. The upper clamping voltage is programmable between  $0\text{ V}$  (min. duty-cycle) and  $V_{SUP}$  (max. duty-cycle). For  $V_{SUP} = 5\text{ V}$ , in steps of  $9.77\text{ mV}$  ( $0.195\%$  duty-cycle).



---

## GP Register

- The registers GP0 to GP3 can be used to store some information, like production date or customer serial number. TDK-Micronas will store production lot number, wafer number and x,y coordinates in registers GP1 to GP3. The total register contains of four blocks with a length of 13 bit each. The customer can read out this information and store it in his production data base for reference or he can store own production information instead.

---

**Note** This register is not a guarantee for traceability.

To read/write this register it is mandatory to read/write all GP register one after the other starting with GP0. In case of writing the registers it is necessary to first write all registers followed by one store sequence at the end. Even if only GP0 should be changed all other GP registers must first be read and the read out data must be written again to these registers.

---

## LOCK

By setting the 1-bit register all registers will be locked, and the sensor will no longer respond to any supply voltage modulation. This bit is active after the first power-off and power-on sequence after setting the LOCK bit. EMC properties of the HAC 830 are only guaranteed for locked devices.

---

**Warning** This register cannot be reset!

---

## D/A-READOUT

This 14-bit register delivers the actual digital value of the applied magnetic field after the signal processing. This register can be read out and is the basis for the calibration procedure of the sensor in the system environment.

---

**Note** The MSB and LSB are reversed compared to all the other registers. Please reverse this register after readout.

---

---

## 3.4. Calibration Procedure

### 3.4.1. General Procedure

For calibration in the system environment, the application kit from TDK-Micronas is recommended. It contains the hardware for generation of the serial telegram for programming (Programmer Board Version 5.1) and the corresponding software (PC83x) for the input of the register values.

For the individual calibration of each sensor in the customer application, a two point adjustment is recommended. The calibration shall be done as follows:

#### **Step 1: Input of the registers which are not required to be adjusted individually**

The magnetic circuit, the magnetic material with its temperature characteristics, the filter frequency, the output mode and the GP Register value are given for this application. Therefore, the values of the following registers should be identical for all sensors of the customer application.

- FILTER  
(according to the maximum signal frequency)
- RANGE  
(according to the maximum magnetic field at the sensor position)
- OUTPUTMODE
- TC, TCSQ and TC-RANGE  
(depends on the material of the magnet and the other temperature dependencies of the application)
- GP  
(if the customer wants to store own production information. It is not necessary to change this register)

As the clamping levels are given. They have an influence on the D/A-Readout value and have to be set therefore after the adjustment process.

Write the appropriate settings into the HAC 830 registers.

## Step 2: Initialize DSP

As the D/A-READOUT register value depends on the settings of SENSITIVITY, VOQ and CLAMP-LOW/HIGH, these registers have to be initialized with defined values, first:

- $VOQ_{INITIAL} = 2.5 \text{ V}$
- Clamp-Low = 0 V
- Clamp-High = 4.999 V
- $Sens_{INITIAL}$  (see Table 3–6)

**Table 3–6:**  $Sens_{INITIAL}$

3dB Filter frequency	$Sens_{INITIAL}$
80 Hz	0.464
500 Hz	0.3
1 kHz	0.321
2 kHz	0.641

## Step 3: Define Calibration Points

The calibration points 1 and 2 can be set inside the specified range. The corresponding values for  $V_{OUT1}$  and  $V_{OUT2}$  result from the application requirements.

$$Lowclampingvoltage \leq V_{OUT1,2} \leq Highclampingvoltage$$

For highest accuracy of the sensor, calibration points near the minimum and maximum input signal are recommended. The difference of the output voltage between calibration point 1 and calibration point 2 should be more than 3.5 V.

#### Step 4: Calculation of $V_{OQ}$ and Sensitivity

Set the system to calibration point 1 and read the register D/A-READOUT. The result is the value D/A-READOUT1.

Now, set the system to calibration point 2, read the register D/A-READOUT again, and get the value D/A-READOUT2.

With these values and the target values  $V_{OUT1}$  and  $V_{OUT2}$ , for the calibration points 1 and 2, respectively, the values for Sensitivity and  $V_{OQ}$  are calculated as:

$$\text{Sensitivity} = \text{Sens}_{\text{INITIAL}} \times \frac{(V_{\text{out2}} - V_{\text{out1}})}{(D/A\text{-Readout2} - D/A\text{-Readout1})} \times \frac{16383}{5}$$

$$V_{\text{Oq}} = V_{\text{out2}} - \left[ \left( \frac{5 \times D/A\text{-Readout2}}{16383} - V_{\text{OqINITIAL}} \right) \times \frac{\text{Sensitivity}}{\text{Sensitivity}_{\text{INITIAL}}} \right]$$

This calculation has to be done individually for each sensor.

Next, write the calculated values for Sensitivity and  $V_{OQ}$  into the IC for adjusting the sensor. At that time it is also possible to store the application specific values for Clamp-Low and Clamp-High into the sensor's EEPROM. The sensor is now calibrated for the customer application. However, the programming can be changed again and again if necessary.

---

**Note** For a recalibration, the calibration procedure has to be started at the beginning (step 1). A new initialization is necessary, as the initial values from step 1 are overwritten in step 4.

---

#### Step 5: Locking the Sensor

The last step is activating the LOCK function by programming the LOCK bit. Please note that the LOCK function becomes effective after power-down and power-up of the Hall IC. The sensor is now locked and does not respond to any programming or reading commands.

---

**Note** It is mandatory to lock the sensor.

---



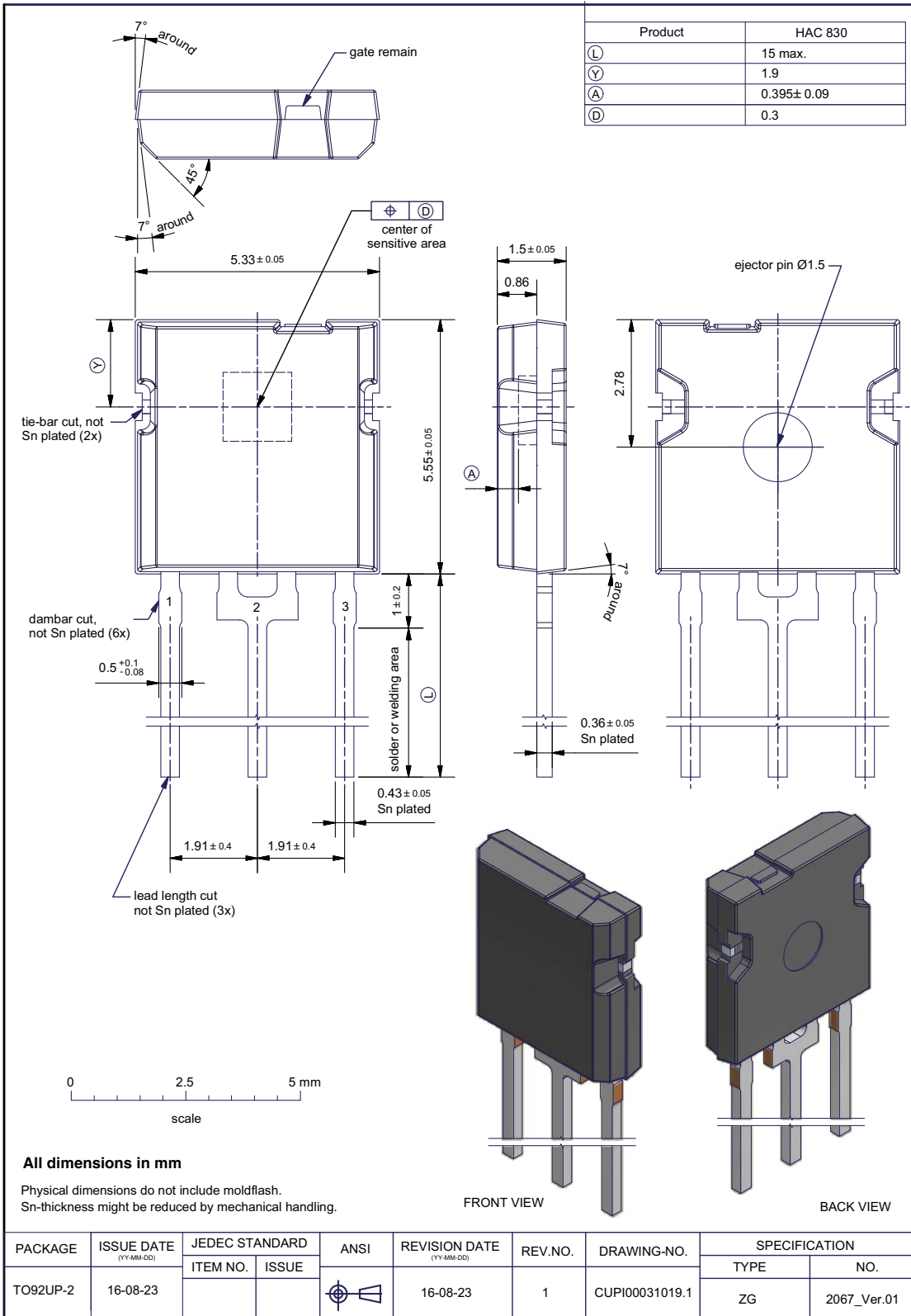
---

**Warning** This register can not be reset!

---

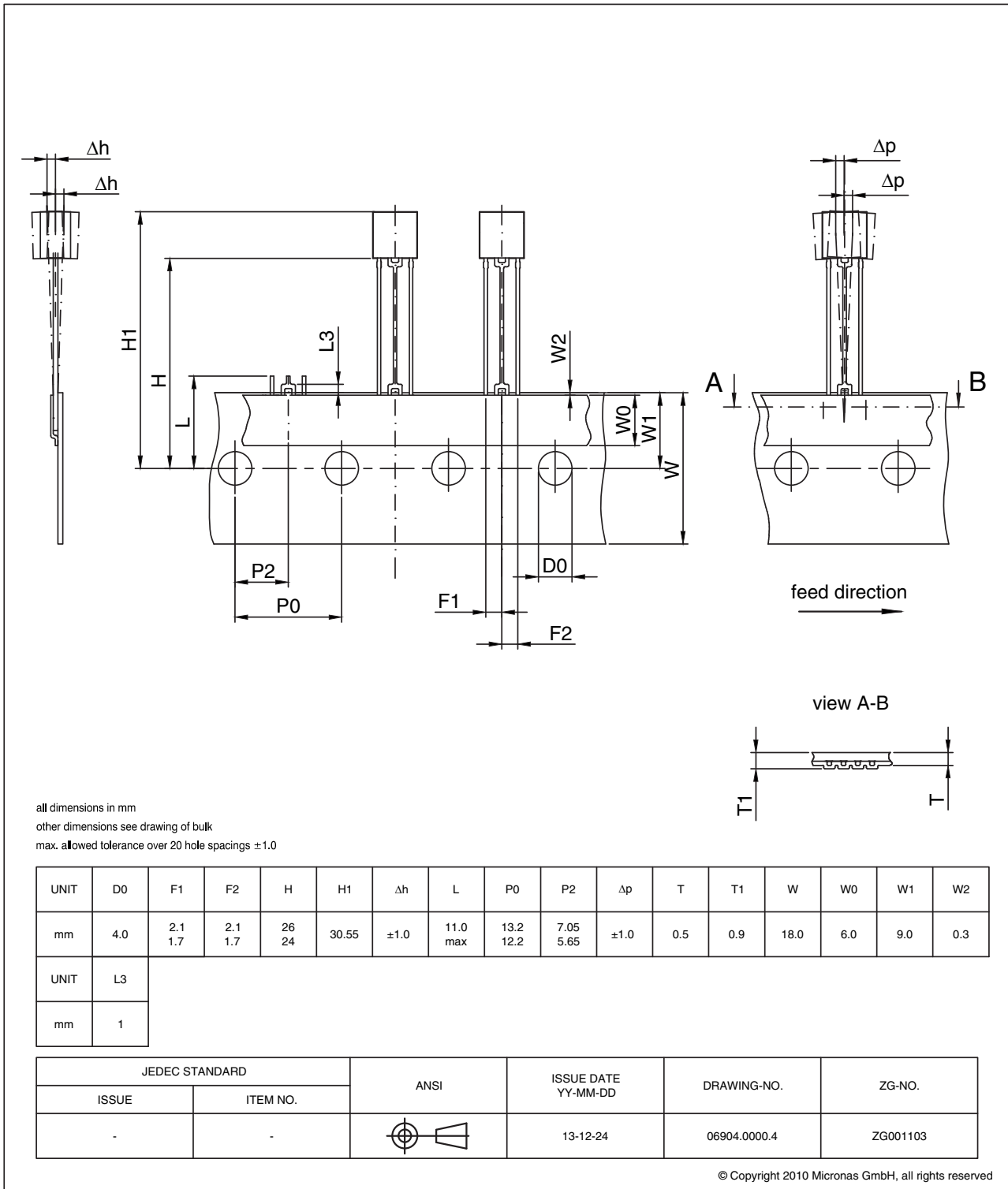
# 4. Specifications

## 4.1. Outline Dimensions



© Copyright 2016 Micronas GmbH, all rights reserved

**Fig. 4-1:**  
**TO92UP-2: Plastic Transistor Standard UP package, 4 leads**  
Weight approximately 0.212 g



**Fig. 4-2:**  
**TO92UP-2: Dimensions ammpack inline, not spread**

## 4.2. Soldering, Welding and Assembly

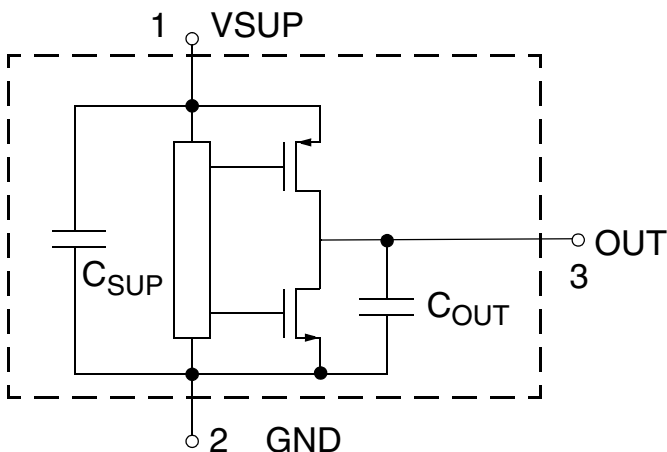
**Note** TDK-Micronas recommends to weld the HAC 830 using resistance or laser beam welding. Reflow soldering is not permitted. Contact your TDK-Micronas sales representative for more information.

Further information related to solderability, welding, assembly, and second-level packaging is included in the document “Guidelines for the Assembly of Micronas Packages”. It is available on the TDK-Micronas website (<http://www.micronas.com/en/service-center/downloads>) or on the service portal (<http://service.micronas.com>).

## 4.3. Pin Connections and Short Descriptions

**Table 4–1:** Pin Connection

Pin No.	Pin Name	Type	Short Description
1	VSUP	Supply	Supply Voltage and Programming Pin
2	GND	GND	Ground
3	OUT	I/O	Push-Pull Output and Selection Pin



**Fig. 4–1:** Pin configuration

## 4.4. Dimension of Sensitive Area

Parameter	Min.	Typ.	Max.	Unit
Dimension of sensitive area		250 x 250		$\mu\text{m}^2$

See Fig. 4–1 on page 21 for more information on the Hall plate position.

## 4.5. Absolute Maximum Ratings

Stresses beyond those listed in the “Absolute Maximum Ratings” may cause permanent damage to the device. This is a stress rating only. Functional operation of the device at these conditions is not implied. Exposure to absolute maximum rating conditions for extended periods will affect device reliability.

This device contains circuitry to protect the inputs and outputs against damage due to high static voltages or electric fields; however, it is advised that normal precautions be taken to avoid application of any voltage higher than absolute maximum-rated voltages to this circuit.

All voltages listed are referenced to ground (GND).

**Table 4–2: Absolute Maximum Ratings**

Symbol	Parameter	Pin No.	Min.	Max.	Unit	Condition
V <sub>SUP</sub>	Supply Voltage	1	-8.5	8.5	V	t < 96 h <sup>3)4)</sup>
			-16	16		t < 1 h <sup>3)4)</sup>
V <sub>OUT</sub>	Output Voltage	3	-5	16	V	
V <sub>OUT</sub> – V <sub>SUP</sub>	Excess of Output Voltage over Supply Voltage	3,1	-	2	V	
I <sub>OUT</sub>	Continuous Output Current	3	-10	10	mA	
t <sub>Sh</sub>	Output Short Circuit Duration	3	-	10	min	
V <sub>ESD</sub>	ESD Protection <sup>1)</sup>	1	-8	8	kV	
		3	-7.5	7.5		
T <sub>J</sub>	Junction Temperature under bias <sup>2)</sup>	-	-50	190	°C	
t <sub>NVMLife</sub>	EEPROM	-	25	-	years	T <sub>A</sub> = 85 °C
T <sub>storage</sub>	Transportation/Short Term Storage Temperature	-	-55	150	°C	Device only without packing material.

<sup>1)</sup> AEC-Q100-002 (100 pF and 1.5 kΩ)  
<sup>2)</sup> For 96 h - Please contact TDK-Micronas for other temperature requirements  
<sup>3)</sup> No cumulated stress  
<sup>4)</sup> As long as T<sub>J</sub> is not exceeded



## 4.6. Storage and Shelf Life

Information related to storage conditions of TDK-Micronas sensors is included in the document “Guidelines for the Assembly of Micronas Packages”. It gives recommendations linked to moisture sensitivity level and long-term storage.

It is available on the TDK-Micronas website (<http://www.micronas.com/en/service-center/downloads>) or on the service portal (<http://service.micronas.com>).

## 4.7. Recommended Operating Conditions

Functional operation of the device beyond those indicated in the “Recommended Operating Conditions/Characteristics” is not implied and may result in unpredictable behavior, reduce reliability and lifetime of the device.

All voltages listed are referenced to ground (GND).

**Table 4–3: Recommended Operating Conditions**

Symbol	Parameter	Pin No.	Min.	Typ.	Max.	Unit	Condition
V <sub>SUP</sub>	Supply Voltage	1	4.5 12.4	5 12.5	5.5 12.6	V	During programming
I <sub>OUT</sub>	Continuous Output Current	3	–1.2	–	1.2	mA	
R <sub>L</sub>	Load Resistor	3	4.5	10	–	kΩ	Can be pull-up or pull-down resistor (analog output only)
C <sub>L</sub>	Load Capacitance	3	0	100	1000	nF	For analog output only. Integrated capacitor tolerance considered. Load capacitance including tolerance should not exceed max. value.
N <sub>PRG</sub>	Number of EEPROM Programming Cycles	–	–	–	100	cycles	0 °C < T <sub>amb</sub> < 55 °C
T <sub>J</sub>	Junction Temperature Range <sup>1)</sup>	–	–40 –40 –40	– – –	125 150 170	°C °C °C	for 8000 h <sup>2)</sup> for 2000 h <sup>2)</sup> for 1000 h <sup>2)</sup>
T <sub>A</sub>	Ambient Temperature Range	–	–40	–	150	°C	
<sup>1)</sup> Depends on the temperature profile of the application. Please contact TDK-Micronas for life time calculations. <sup>2)</sup> Time values are not cumulative							

## 4.8. Characteristics

at  $T_J = -40\text{ °C}$  to  $170\text{ °C}$ ,  $V_{SUP} = 4.5\text{ V}$  to  $5.5\text{ V}$ ,  $GND = 0\text{ V}$  after programming and locking, at Recommended Operation Conditions if not otherwise specified in the column "Conditions". Typical Characteristics for  $T_J = 25\text{ °C}$  and  $V_{SUP} = 5\text{ V}$ .

**Table 4–4: Characteristics**

Symbol	Parameter	Pin No.	Min.	Typ.	Max.	Unit	Conditions
<b>General</b>							
$I_{SUP}$	Supply Current over Temperature Range	1	5	7	10	mA	
$R_{OUT}$	Output Resistance over Recommended Operating Range	3	–	1	10	$\Omega$	$V_{OUTLmax} \leq V_{OUT} \leq V_{OUTHmin}$
$\Delta C_{SUP}$	Integrated Supply Capacitor Tolerance	1	–10	–	10	%	@ $25\text{ °C}$ and $V_{SUP}=5\text{ V}$ Variation is given relative to nominal value. For typical values see Table 2–2 on page 6
$\Delta C_{OUT}$	Integrated Output Capacitor Tolerance	3					
$f_{OSC}$	Oscillator Frequency	–	110	128	150	kHz	512 kHz internally
BW	Small Signal Bandwidth (–3 dB)	3	–	2	–	kHz	$B_{AC} < 10\text{ mT}$ ; 3 dB Filter frequency=2 kHz
<b>Basics</b>							
VOQ	Deviation of Output Voltage over Temperature	3	2.46	2.48	2,5	V	With SENSITIVITY = 1 Voq = 2.5 V Magnetic range = $\pm 60\text{ mT}$ 3 dB frequency = 500 Hz TC =15 TCSQ = 1 TC-Range = $-500 \dots +450\text{ ppm/K}$
Sensitivity	Non-Linearity of Output Voltage over Temperature <sup>2)</sup>	3	80	90	100	mV/mT	$B = 0\text{ mT}$ , $I_{OUT} = 0\text{ mA}$ , $T_J = 25\text{ °C}$ $f_{3dB} = 1000\text{ Hz}$ , $B_{Range} = 30\text{ mT}$ , Voq = 2.5 V, Sensitivity = 0.6 Unadjusted sensor Delivery status
<b>Overall Performance</b>							
INL	Non-Linearity of Output Voltage over Temperature	3	–0.5	0	0.5	%	% of supply voltage <sup>1)</sup> For $V_{OUT} = 0.35\text{ V} \dots 4.65\text{ V}$ ; $V_{SUP} = 5\text{ V}$ , Sensitivity $\leq 0.95$
$V_{OUT\_temp}$	Deviation of Output Voltage over Temperature	3	–30	0	30	mV	
$V_{OUTn}$	Noise Output Voltage <sub>RMS</sub> <sup>2)</sup>	3	–	0.6	1.4	mV	Magnetic range=60 mT 3 dB Filter frequency=500 Hz Sensitivity $\leq 0.7$ ; C = 4.7 nF ( $V_{SUP}$ & $V_{OUT}$ to GND)
$E_R$	Ratiometric Error of Output over Temperature (Error in $V_{OUT}/V_{SUP}$ )	3	–0.25	0	0.25	%	$V_{OUT1} - V_{OUT2} > 2\text{ V}$ during calibration procedure
<sup>1)</sup> If more than 50% of the selected magnetic field range is used (Sensitivity $\leq 0.5$ ) and the temperature compensation is suitable. INL = $V_{OUT} - V_{OUTLSF}$ =Least Square Fit Line voltage based on $V_{OUT}$ measurements at a fixed temperature.							
<sup>2)</sup> Characterized on small sample size, not tested.							

Table 4–4: Characteristics, continued

Symbol	Parameter	Pin No.	Min.	Typ.	Max.	Unit	Conditions
<b>DAC</b>							
–	Resolution	3	–	12	–	bit	Ratiometric to $V_{SUP}$ <sup>3)</sup>
DNL	Differential Non-Linearity of D/A converter <sup>4)</sup>	3	–2.0	0	2.0	LSB	Only @ 25 °C ambient temperature
<b>Drift over temperature</b>							
ES	Error in Magnetic Sensitivity over Temperature Range <sup>2)</sup>	3	–4	0	4	%	$V_{SUP} = 5\text{ V}$ ; 60 mT range, 3 dB frequency = 500 Hz, TC & TCSQ for linearized temperature coefficients (see Section 4.8.2. on page 28)
$V_{Offset}$	Offset Drift over Temperature Range $V_{OUT}(B=0\text{ mT})_{25^{\circ}\text{C}}$ $V_{OUT}(B=0\text{ mT})_{max}$ <sup>2) 5)</sup>	3	–0.6	0.25	0.6	% $V_{SUP}$	$V_{SUP} = 5\text{ V}$ ; 60 mT range, 3 dB frequency = 500 Hz, TC = 15, TCSQ = 1, TC-Range = 1 –0.65 < sensitivity < 0.65
<sup>2)</sup> Characterized on small sample size, not tested. <sup>3)</sup> Output DAC full scale = 5 V ratiometric, Output DAC offset = 0 V, Output DAC LSB = $V_{SUP}/4096$ <sup>4)</sup> Only tested at 25 °C. The specified values are test limits only. Overmolding and packaging might influence this parameter <sup>5)</sup> $T_{ambient} = 150\text{ °C}$							

### 4.8.1. Additional Information

Table 4–5: Additional Information

Symbol	Parameter	Pin No.	Min.	Typ.	Max.	Unit	Condition
<b>General</b>							
$t_{r(O)}$	Step Response Time of Output <sup>1)</sup>	3	–	3 0.9 0.6 0.4	13 1.2 0.8 0.5	ms	3 dB Filter frequency=80 Hz 3 dB Filter frequency=500 Hz 3 dB Filter frequency=1 kHz 3 dB Filter frequency=2 kHz time from 10% to 90% of final output voltage for a steplike signal $B_{step}$ from 0 mT to $B_{max}$
$t_{POD}$	Power-Up Time (time to reach stable Output Voltage)	–	1.5	1.7	1.9	ms	90% of $V_{OUT}$
<b>DAC</b>							
$\Delta V_{OUTCL}$	Accuracy of Output Voltage at Clamping Low Voltage over Temperature Range	3	–15	0	15	mV	$R_L = 5\text{ k}\Omega$ , $V_{SUP} = 5\text{ V}$ Spec values are derived from resolutions of the registers Clamp-Low/Clamp-High and the parameter Voffset
$\Delta V_{OUTCH}$	Accuracy of Output Voltage at Clamping High Voltage over Temperature Range	3	–15	0	15	mV	
$V_{OUTH}$	Upper Limit of Signal Band <sup>2)</sup>	3	4.65	4.8	–	V	$V_{SUP} = 5\text{ V}$ , $-1\text{ mA} \leq I_{OUT} \leq 1\text{ mA}$
$V_{OUTL}$	Lower Limit of Signal Band <sup>2)</sup>	3	–	0.2	0.35	V	$V_{SUP} = 5\text{ V}$ , $-1\text{ mA} \leq I_{OUT} \leq 1\text{ mA}$
DACGE	D/A-Converter Glitch Energy <sup>4)</sup>	3	–	40	–	nVs	<sup>3)</sup>
<sup>1)</sup> Guaranteed by design <sup>2)</sup> Signal Band Area with full accuracy is located between $V_{OUTL}$ and $V_{OUTH}$ . The sensor accuracy is reduced below $V_{OUTL}$ and above $V_{OUTH}$ <sup>3)</sup> The energy of the impulse injected into the analog output when the code in the D/A-Converter register changes state. This energy is normally specified as the area of the glitch in nVs <sup>4)</sup> Characterized on small sample size, not tested.							

## 4.8.2. TO92UP Packages

**Table 4–6: TO92UP Packages**

Symbol	Parameter	Pin No.	Min.	Typ.	Max.	Unit	Condition
$R_{thja}$	Thermal Resistance junction to air	–	–	–	198	K/W	Determined with a 1s0p board Determined with a 1s1p board Determined with a 1s0p board Determined with a 1s1p board
$R_{thjc}$	junction to case	–	–	–	146		
		–	–	–	53		
		–	–	–	38		

## 4.8.3. Definition of Sensitivity Error ES

ES is the maximum of the absolute value of the quotient of the normalized measured value<sup>1</sup> over the normalized ideal linear<sup>2</sup> value minus 1:

$$ES = \max\left(\text{abs}\left(\frac{\text{meas}}{\text{ideal}} - 1\right)\right) \Big|_{\{T_{min}, T_{max}\}}$$

In the example below, the maximum error occurs at  $-10\text{ °C}$ :

$$ES = \frac{1.001}{0.993} - 1 = 0.8\%$$

1. Normalized to achieve a least-squares method straight line that has a value of 1 at 25 °C.

2. Normalized to achieve a value of 1 at 25 °C.

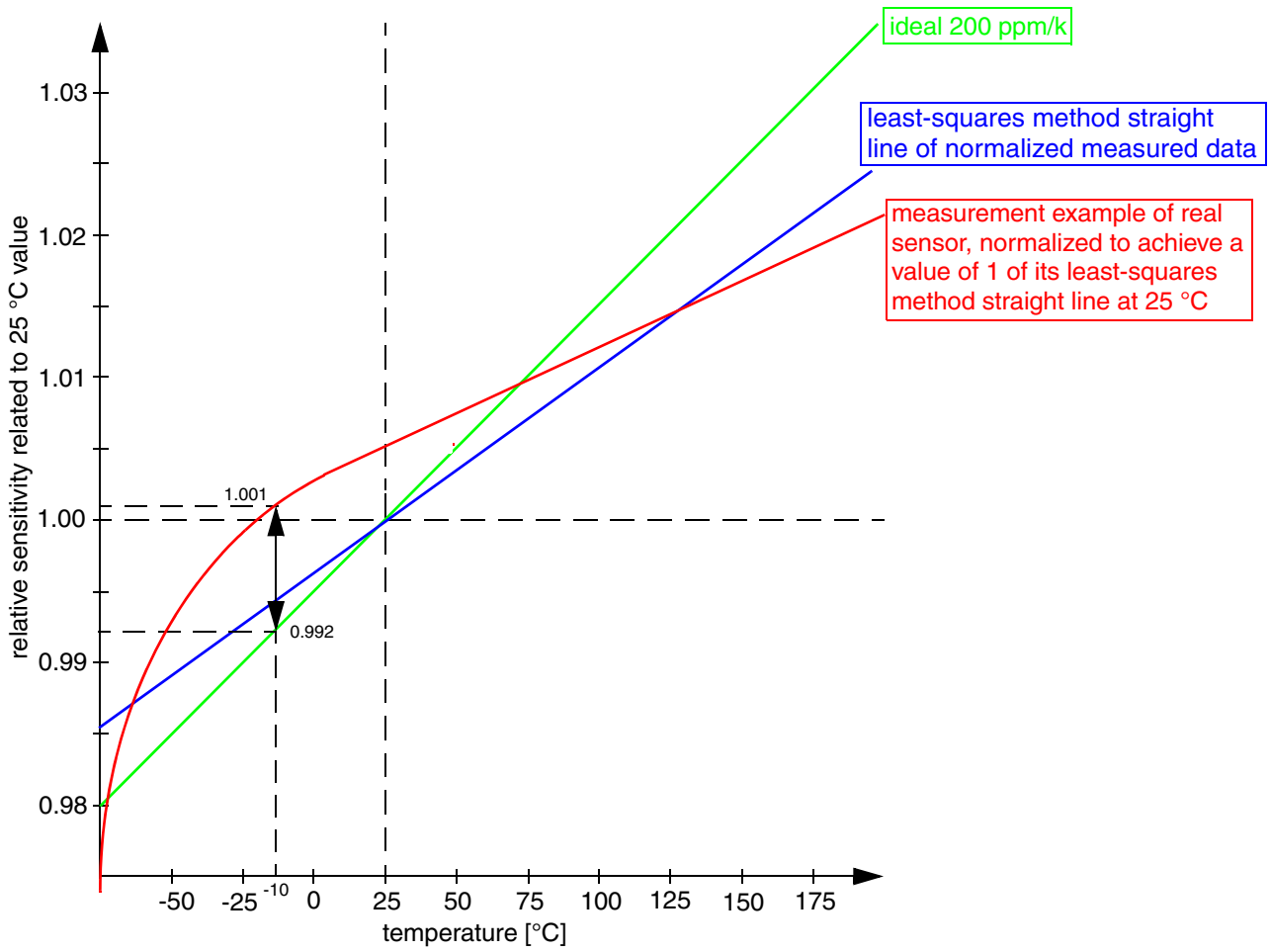


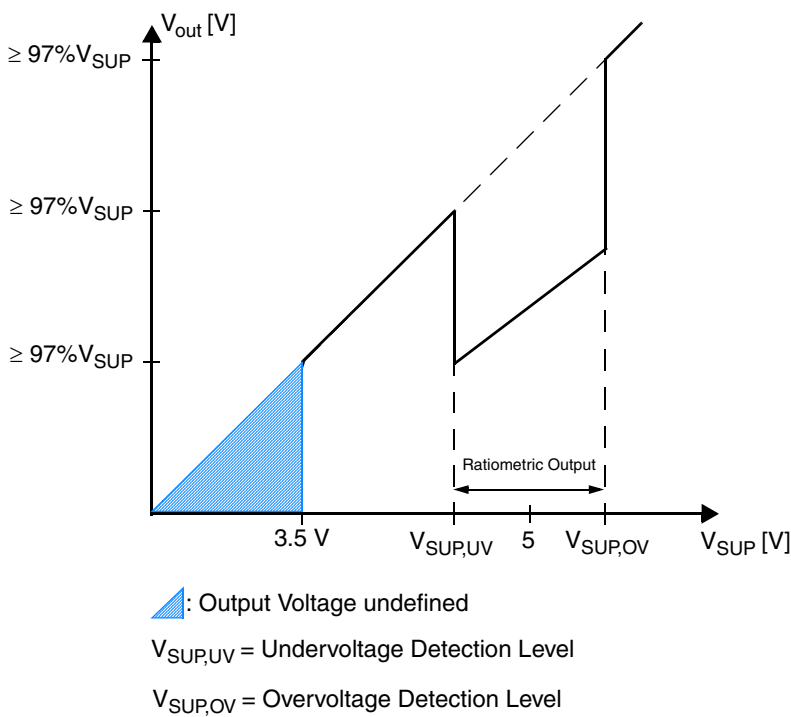
Fig. 4-1: ES definition example

### 4.8.4. Power-On Operation

at  $T_J = -40\text{ °C}$  to  $170\text{ °C}$ , after programming and locking.  
 Typical Characteristics for  $T_J = 25\text{ °C}$ .

**Table 4–7: Power-On Operation**

Symbol	Parameter	Min.	Typ.	Max.	Unit
$POR_{UP}$	Power-On Reset Voltage (UP)	–	3.4	–	V
$POR_{DOWN}$	Power-On Reset Voltage (DOWN)	–	3.0	–	V



**Fig. 4–1: Analog output behavior for different supply voltages**

## 4.9. Diagnostics and Safety Features

### 4.9.1. Overvoltage and Undervoltage Detection

at  $T_J = -40\text{ °C}$  to  $170\text{ °C}$ , Typical Characteristics for  $T_J = 25\text{ °C}$ , after programming and locking

**Table 4–8: Over-/Undervoltage Detection**

Symbol	Parameter	Pin No.	Min.	Typ.	Max.	Unit	Conditions
$V_{SUP,UV}$	Undervoltage detection level	1	–	4.2	4.5	V	1)
$V_{SUP,OV}$	Overvoltage detection level	1	8.5	8.9	10.0	V	1)

1) If the supply voltage drops below  $V_{SUP,UV}$  or rises above  $V_{SUP,OV}$ , the output voltage is switched to  $V_{SUP}$  ( $\geq 97\%$  of  $V_{SUP}$  at  $R_L = 10\text{ k}\Omega$  to GND).

**Note**      **The over- and undervoltage detection is activated only after locking the sensor!**

### 4.9.2. Open-Circuit Detection

at  $T_J = -40\text{ °C}$  to  $170\text{ °C}$ , Typical Characteristics for  $T_J = 25\text{ °C}$ , after locking the sensor

**Table 4–9: Open-Circuit Detection**

Symbol	Parameter	Pin No.	Min.	Typ.	Max.	Unit	Comment
$V_{OUT}$	Output Voltage at open $V_{SUP}$ line	3	0	0	0.15	V	$V_{SUP} = 5\text{ V}$ $R_L = 10\text{ k}\Omega$ to $200\text{ k}\Omega$
			0	0	0.2	V	$V_{SUP} = 5\text{ V}$ $5\text{ k}\Omega \leq R_L < 10\text{ k}\Omega$
			0	0	0.25	V	$V_{SUP} = 5\text{ V}$ $4.5\text{ k}\Omega \leq R_L < 10\text{ k}\Omega$ <sup>1)</sup>
$V_{OUT}$	Output Voltage at open GND line	3	4.85	4.9	5.0	V	$V_{SUP} = 5\text{ V}$ $R_L = 10\text{ k}\Omega$ to $200\text{ k}\Omega$
			4.8	4.9	5.0	V	$V_{SUP} = 5\text{ V}$ $5\text{ k}\Omega \leq R_L < 10\text{ k}\Omega$
			4.75	4.9	5.0	V	$V_{SUP} = 5\text{ V}$ $4.5\text{ k}\Omega \leq R_L < 10\text{ k}\Omega$ <sup>1)</sup>

1) not tested

#### 4.9.3. Over temperature and Short-Circuit Protection

If over temperature at  $T_J > 180\text{ °C}$ , e.g. due to a short circuit, the output will be switched off and goes in high impedance condition.

#### 4.9.4. EEPROM Redundancy

The non-volatile memory except the GP registers uses the Micronas Fail Safe Redundant Cell technology well proven in automotive applications.

#### 4.9.5. ADC Diagnostic

The A/D-READOUT register can be used to avoid under/overrange effects in the A/D converter.

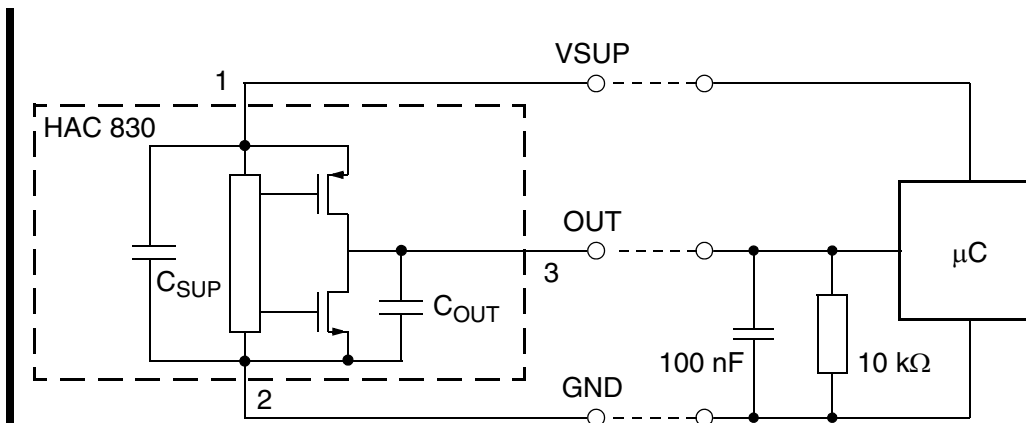


## 5. Application Notes

### 5.1. Application Circuit

Thanks to the integrated capacitors, it is not necessary to connect additional capacitors between ground and the supply voltage or the output voltage pin.

Built-in capacitors are monolithic ceramic capacitors with X8R characteristics. They are specifically suited for high temperature applications with stable capacitance value ( $\pm 10\%$ ) up to  $150\text{ }^{\circ}\text{C}$ , and therefore suitable for harsh automotive operating conditions. The maximum rated capacitor voltage is  $\geq 25\text{ V}$ .



**Fig. 5–1:** Recommended application circuit (analog output signal), no additional capacitors needed

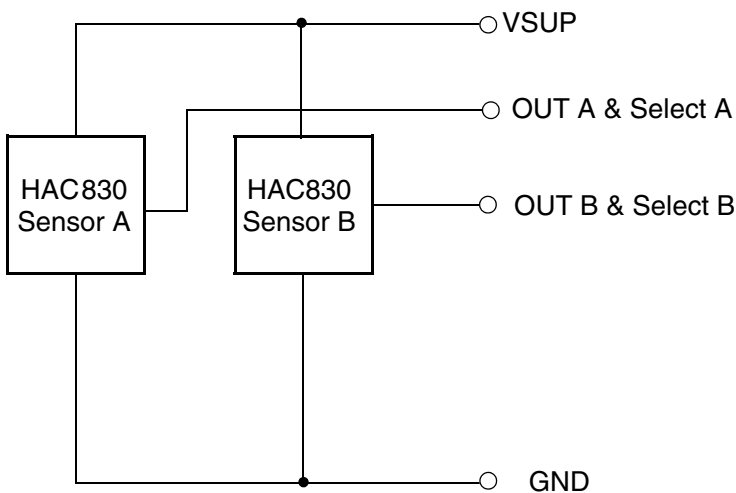
## 5.2. Use of two HAC 830 in Parallel

Two different HAC 830 sensors which are operated in parallel to the same supply and ground line can be programmed individually. In order to select the IC which should be programmed, both Hall ICs are inactivated by the “Deactivate” command on the common supply line. Then, the appropriate IC is activated by an “Activate” pulse on its output. Only the activated sensor will react to all following read, write, and program commands. If the second IC has to be programmed, the “Deactivate” command is sent again, and the second IC can be selected.

---

**Note** The multi-programming of two sensors requires a 10 k $\Omega$  pull-down resistor on the sensors' output pins.

---



**Fig. 5–2:** Recommended application circuit (parallel operation of two HAC 830), no additional capacitors needed

### 5.3. Temperature Compensation

The relationship between the temperature coefficient of the magnet and the corresponding TC, TCSQ and TC-Range codes for linear compensation is given in the following table. In addition to the linear change of the magnetic field with temperature, the curvature can be adjusted as well. For this purpose, other TC, TCSQ and TC-Range combinations are required which are not shown in the table. Please contact TDK-Micronas for more detailed information on this higher order temperature compensation.

**Table 5–1:** Temperature compensation codes

Temperature Coefficient of Magnet (ppm/K)	TC-Range Group	TC	TCSQ
1075	3	31	7
1000	3	28	1
900	3	24	0
750	3	16	2
675	3	12	2
575	3	8	2
450	3	4	2
400	1	31	0
250	1	24	1
150	1	20	1
50	1	16	2
0	1	15	1
-100	1	12	0
-200	1	8	1
-300	1	4	4
-400	1	0	7
-500	1	0	0
-600	2	31	2
-700	2	28	1
-800	2	24	3
-900	2	20	6
-1000	2	16	7

**Table 5–1:** Temperature compensation codes, continued

Temperature Coefficient of Magnet (ppm/K)	TC-Range Group	TC	TCSQ
-1100	2	16	2
-1200	2	12	5
-1300	2	12	0
-1400	2	8	3
-1500	2	4	7
-1600	2	4	1
-1700	2	0	6
-1800	0	31	6
-1900	0	28	7
-2000	0	28	2
-2100	0	24	6
-2200	0	24	1
-2400	0	20	0
-2500	0	16	5
-2600	0	14	5
-2800	0	12	1
-2900	0	8	6
-3000	0	8	3
-3100	0	4	7
-3300	0	4	1
-3500	0	0	4

**Note**

Table 5–1 shows only some approximate values. TDK-Micronas recommends to use the TC-Calc software to find optimal settings for temperature coefficients. Please contact TDK-Micronas for more detailed information.

## 5.4. Ambient Temperature

Due to the internal power dissipation, the temperature on the silicon chip (junction temperature  $T_J$ ) is higher than the temperature outside the package (ambient temperature  $T_A$ ).

$$T_J = T_A + \Delta T$$

At static conditions and continuous operation, the following equation applies:

$$\Delta T = I_{SUP} * V_{SUP} * R_{thjX}$$

The X represents junction-to-air or junction-to-case.

In order to estimate the temperature difference  $\Delta T$  between the junction and the respective reference (e.g. air, case, or solder point) use the max. parameters for  $I_{SUP}$ ,  $R_{thX}$ , and the max. value for  $V_{SUP}$  from the application.

The following example shows the result for junction-to-air conditions.  $V_{SUP} = 5.5$  V,  $R_{thja} = 250$  K/W and  $I_{SUP} = 10$  mA the temperature difference  $\Delta T = 13.75$  K.

The junction temperature  $T_J$  is specified. The maximum ambient temperature  $T_{Amax}$  can be estimated as:

$$T_{Amax} = T_{Jmax} - \Delta T$$

## 5.5. EMC and ESD

Please contact TDK-Micronas for the detailed investigation reports with the EMC and ESD results.

---

**Note** EMC results are valid for locked devices only.

---

---

## 6. Programming

### 6.1. Definition of Programming Pulses

The sensor is addressed by modulating a serial telegram on the supply voltage. The sensor answers with a serial telegram on the output pin.

The bits in the serial telegram have a different bit time for the VSUP-line and the output. The bit time for the VSUP-line is defined through the length of the Sync Bit at the beginning of each telegram. The bit time for the output is defined through the Acknowledge Bit.

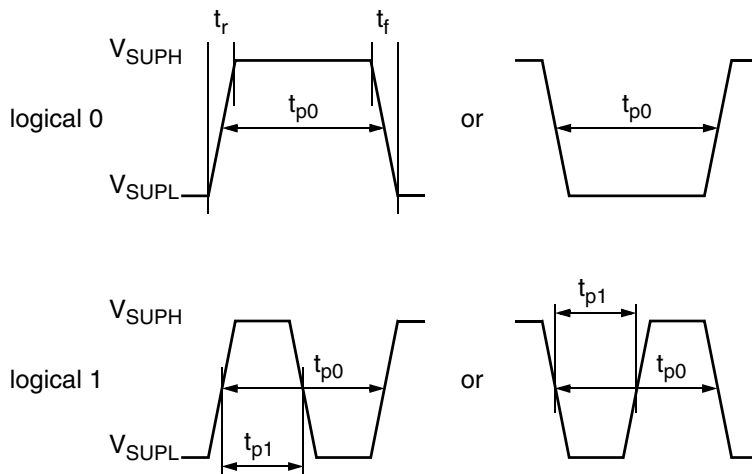
A logical "0" is coded as no voltage change within the bit time. A logical "1" is coded as a voltage change between 50% and 80% of the bit time. After each bit, a voltage change occurs.

### 6.2. Definition of the Telegram

Each telegram starts with the Sync Bit (logical 0), 3 bits for the Command (COM), the Command Parity Bit (CP), 4 bits for the Address (ADR), and the Address Parity Bit (AP).

There are 4 kinds of telegrams:

- Write a register (see Fig. )  
After the AP Bit, follow 14 Data Bits (DAT) and the Data Parity Bit (DP). If the telegram is valid and the command has been processed, the sensor answers with an Acknowledge Bit (logical 0) on the output.
- Read a register (see Fig. 6–3)  
After evaluating this command, the sensor answers with the Acknowledge Bit, 14 Data Bits, and the Data Parity Bit on the output.
- Programming the EEPROM cells (see Fig. 6–4)  
After evaluating this command, the sensor answers with the Acknowledge Bit. After the delay time  $t_w$ , the supply voltage rises up to the programming voltage.
- Activate a sensor (see Fig. 6–4)  
If more than one sensor is connected to the supply line, selection can be done by first deactivating all sensors. The output of all sensors have to be pulled to ground. With an Activate pulse on the appropriate output pin, an individual sensor can be selected. All following commands will only be accepted from the activated sensor.

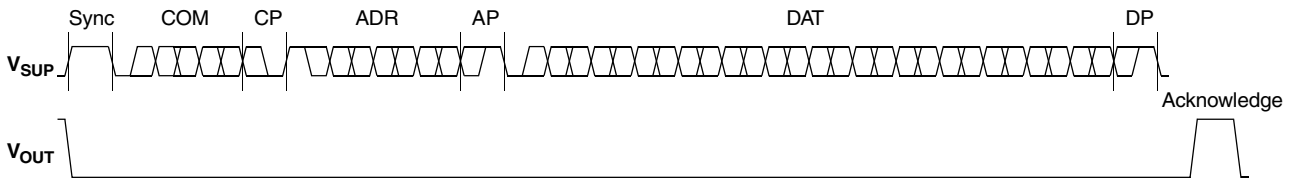


**Fig. 6–1:** Definition of logical 0 and 1 bit

**Table 6–1:** Telegram parameters

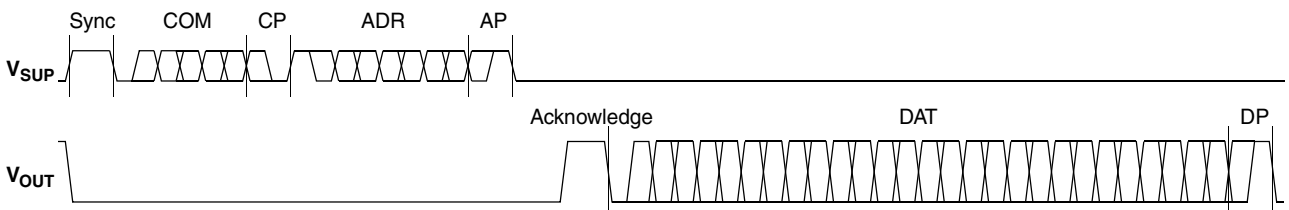
Symbol	Parameter	Pin	Min.	Typ.	Max.	Unit	Remarks
V <sub>SUPL</sub>	Supply Voltage for Low Level during Programming	1	5	5.6	6	V	
V <sub>SUPH</sub>	Supply Voltage for High Level during Programming	1	6.8	8.0	8.5	V	
t <sub>r</sub>	Rise time	1	–	–	0.05	ms	see Fig. 6–1 on page 39
t <sub>f</sub>	Fall time	1	–	–	0.05	ms	see Fig. 6–1 on page 39
t <sub>p0</sub>	Bit time on V <sub>SUP</sub>	1	1.7	1.8	1.9	ms	t <sub>p0</sub> is defined through the Sync Bit
t <sub>pOUT</sub>	Bit time on output pin	3	2	3	4	ms	t <sub>pOUT</sub> is defined through the Acknowledge Bit
t <sub>p1</sub>	Duty-Cycle Change for logical 1	1, 3	50	65	80	%	% of t <sub>p0</sub> or t <sub>pOUT</sub>
V <sub>SUP-PROG</sub>	Supply Voltage for Programming the EEPROM	1	12.4	12.5	12.6	V	
t <sub>PROG</sub>	Programming Time for EEPROM	1	95	100	105	ms	
t <sub>rp</sub>	Rise time of programming voltage	1	0.2	0.5	1	ms	see Fig. 6–1 on page 39
t <sub>fp</sub>	Fall time of programming voltage	1	0	–	1	ms	see Fig. 6–1 on page 39
t <sub>w</sub>	Delay time of programming voltage after Acknowledge	1	0.5	0.7	1	ms	
V <sub>act</sub>	Voltage for an Activate pulse	3	3	4	5	V	
t <sub>act</sub>	Duration of an Activate pulse	3	0.05	0.1	0.2	ms	
V <sub>out, deact</sub>	Output voltage after deactivate command	3	0	0.1	0.2	V	

**WRITE**



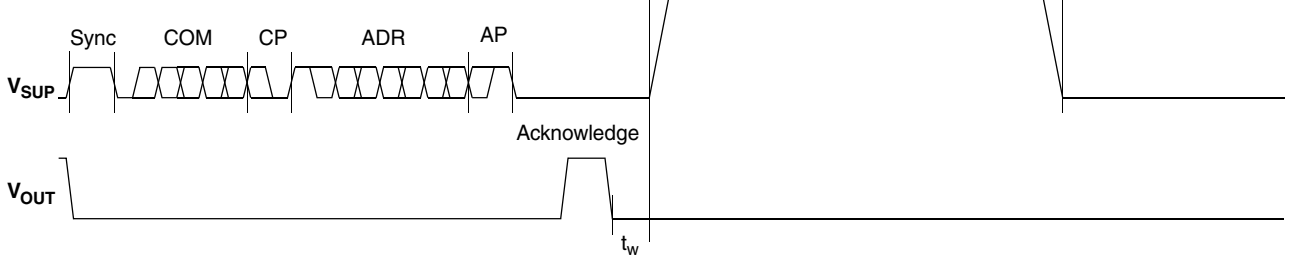
**Fig. 6–2:** Telegram for coding a Write command

**READ**

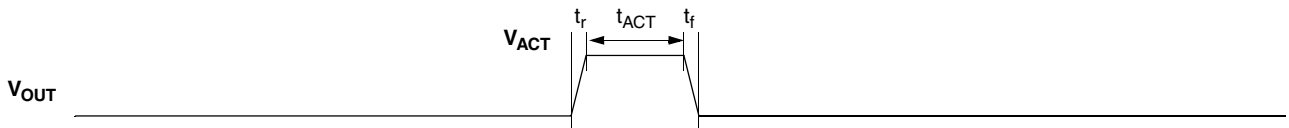


**Fig. 6–3:** Telegram for coding a Read command

**ERASE, PROM, and LOCK**



**Fig. 6–4:** Telegram for coding the EEPROM programming



**Fig. 6–5:** Activate pulse



---

## 6.3. Telegram Codes

### Sync Bit

Each telegram starts with the Sync Bit. This logical “0” pulse defines the exact timing for  $t_{p0}$ .

### Command Bits (COM)

The Command code contains 3 bits and is a binary number. Table 6–2 shows the available commands and the corresponding codes for the HAC 830.

### Command Parity Bit (CP)

This parity bit is “1” if the number of zeros within the 3 Command Bits is uneven. The parity bit is “0”, if the number of zeros is even.

### Address Bits (ADR)

The Address code contains 4 bits and is a binary number. Table 6–3 shows the available addresses for the HAC 830 registers.

### Address Parity Bit (AP)

This parity bit is “1” if the number of zeros within the 4 Address bits is uneven. The parity bit is “0” if the number of zeros is even.

### Data Bits (DAT)

The 14 Data Bits contain the register information.

The registers use different number formats for the Data Bits. These formats are explained in Section 6.4.

In the Write command, the last bits are valid. If, for example, the TC register (10 bits) is written, only the last 10 bits are valid.

In the Read command, the first bits are valid. If, for example, the TC register (10 bits) is read, only the first 10 bits are valid.

### Data Parity Bit (DP)

This parity bit is “1” if the number of zeros within the binary number is even. The parity bit is “0” if the number of zeros is uneven.

## Acknowledge

After each telegram, the output answers with the Acknowledge signal. This logical “0” pulse defines the exact timing for  $t_{pOUT}$ .

**Table 6–2:** Available commands

Command	Code	Explanation
READ	2	Read a register
WRITE	3	Write a register
PROM	4	Program all non-volatile registers
ERASE	5	Erase all non-volatile registers

## 6.4. Number Formats

### Binary number:

The most significant bit is given as first, the least significant bit as last digit.

Example: 101001 represents 41 decimal.

### Signed binary number:

The first digit represents the sign of the following binary number (1 for negative, 0 for positive sign).

Example: 0101001 represents +41 decimal

1101001 represents –41 decimal

### Two’s-complement number:

The first digit of positive numbers is “0”, the rest of the number is a binary number. Negative numbers start with “1”. In order to calculate the absolute value of the number, calculate the complement of the remaining digits and add “1”.

Example: 0101001 represents +41 decimal

1010111 represents –41 decimal

## 6.5. Register Information

### CLAMP-LOW

- The register range is from 0 up to 255.
- The register value is calculated by:

$$\text{CLAMP-LOW} = \frac{\text{LowClampingVoltage} \times 2}{V_{SUP}} \times 255$$

### CLAMP-HIGH

- The register range is from 0 up to 511.
- The register value is calculated by:

$$\text{CLAMP-HIGH} = \frac{\text{HighClampingVoltage}}{V_{SUP}} \times 511$$

### VOQ

- The register range is from –1024 up to 1023.
- The register value is calculated by:

$$\text{VOQ} = \frac{V_{OQ}}{V_{SUP}} \times 1024$$

### SENSITIVITY

- The register range is from –8192 up to 8191.
- The register value is calculated by:

$$\text{SENSITIVITY} = \text{Sensitivity} \times 2048$$

## TC

- The TC register range is from 0 up to 1023.
- The register value is calculated by:

$$TC = GROUP \times 256 + TCValue \times 8 + TCSQValue$$

## MODE

- The register range is from 0 up to 1023 and contains the settings for FILTER, RANGE, OUTPUTMODE:

$$MODE = RANGE(Mode[9]) \times 512 + \\ OUTPUTMODE \times 32 + \\ FILTER \times 8 + RANGE(Mode[2:1]) \times 2$$

## D/A-READOUT

- This register is read only.
- The register range is from 0 up to 16383.

## DEACTIVATE

- This register can only be written.
- The register has to be written with 2063 decimal (80F hexadecimal) for the deactivation.
- The sensor can be reset with an activate pulse on the output pin or by switching off and on the supply voltage.

**Table 6–3:** Available register addresses

Register	Code	Data Bits	Format	Customer	Remark
CLAMP-LOW	1	8	binary	read/write/program	Low clamping voltage
CLAMP-HIGH	2	9	binary	read/write/program	High clamping voltage
VOQ	3	11	two's compl. binary	read/write/program	Output quiescent voltage
SENSITIVITY	4	14	signed binary	read/write/program	
MODE	5	10	binary	read/write/program	Range, filter, output mode
LOCKR	6	2	binary	read/write/program	Lock Bit
A/D READOUT	7	14	two's compl. binary	read	
GP REGISTERS 1...3	8	3x13	binary	read/write/program	1)
D/A-READOUT	9	14	binary	read	Bit sequence is reversed during read
TC	11	10	binary	read/write/program	bits 0 to 2 TCSQ bits 3 to 7 TC bits 8 to 9 TC Range
GP REGISTER 0	12	13	binary	read/write/program	1)
DEACTIVATE	15	12	binary	write	Deactivate the sensor

<sup>1)</sup> To read/write this register it is mandatory to read/write all GP register one after the other starting with GP0. In case of a writing the registers it is necessary to first write all registers followed by one store sequence at the end. Even if only GP0 should be changed all other GP registers must first be read and the read out data must be written again to these registers.

Table 6–4: Data formats

Register	Char	DAT3				DAT2				DAT1				DAT0			
	Bit	15	14	13	12	11	10	9	8	7	6	5	4	3	2	1	0
CLAMP LOW	Write	–	–	–	–	–	–	–	–	V	V	V	V	V	V	V	V
	Read	–	–	V	V	V	V	V	V	V	V	–	–	–	–	–	–
CLAMP HIGH	Write	–	–	–	–	–	–	–	V	V	V	V	V	V	V	V	V
	Read	–	–	V	V	V	V	V	V	V	V	V	–	–	–	–	–
VOQ	Write	–	–	–	–	–	V	V	V	V	V	V	V	V	V	V	V
	Read	–	–	V	V	V	V	V	V	V	V	V	V	V	–	–	–
SENSITIVITY	Write	–	–	V	V	V	V	V	V	V	V	V	V	V	V	V	V
	Read	–	–	V	V	V	V	V	V	V	V	V	V	V	V	V	V
MODE	Write	–	–	–	–	–	–	V	V	V	V	V	V	V	V	V	V
	Read	–	–	V	V	V	V	V	V	V	V	V	V	–	–	–	–
A/D-READOUT	Read	–	–	V	V	V	V	V	V	V	V	V	V	V	V	V	V
LOCKR	Write	–	–	–	–	–	–	–	–	–	–	–	–	–	–	–	V
	Read	–	–	–	V	–	–	–	–	–	–	–	–	–	–	–	–
GP 1...3 Registers	Write	–	–	–	V	V	V	V	V	V	V	V	V	V	V	V	V
	Read	–	–	V	V	V	V	V	V	V	V	V	V	V	V	V	–
D/A-READOUT <sup>1)</sup>	Read	–	–	V	V	V	V	V	V	V	V	V	V	V	V	V	V
TC	Write	–	–	–	–	–	–	V	V	V	V	V	V	V	V	V	V
	Read	–	–	V	V	V	V	V	V	V	V	V	V	–	–	–	–
GP 0 Register	Write	–	–	–	V	V	V	V	V	V	V	V	V	V	V	V	V
	Read	–	–	V	V	V	V	V	V	V	V	V	V	V	V	V	–
DEACTIVATE	Write	–	–	–	–	1	0	0	0	0	0	0	0	1	1	1	1

V: valid, –: ignore, bit order: MSB first  
<sup>1)</sup> LSB first

---

## 6.6. Programming Information

If the content of any register (except the lock registers) is to be changed, the desired value must first be written into the corresponding RAM register. Before reading out the RAM register again, the register value must be permanently stored in the EEPROM.

Permanently storing a value in the EEPROM is done by first sending an ERASE command followed by sending a PROM command. **The address within the ERASE and PROM commands must be zero.** ERASE and PROM act on all registers in parallel.

If all HAC 830 registers are to be changed, all writing commands can be sent one after the other, followed by sending one ERASE and PROM command at the end.

During all communication sequences, the customer has to check if the communication with the sensor was successful. This means that the acknowledge and the parity bits sent by the sensor have to be checked by the customer. If the Micronas programmer board is used, the customer has to check the error flags sent from the programmer board.

---

### Note

For production and qualification tests, it is mandatory to set the LOCK bit after final adjustment and programming of HAC 830. The LOCK function is active after the next power-up of the sensor.

The success of the lock process must be checked by reading at least one sensor register after locking and/or by an analog check of the sensor's output signal.

Electrostatic discharges (ESD) may disturb the programming pulses.

Please take precautions against ESD.

---

---

## 7. Document History

1. Data Sheet: "HAC 830 Robust Multi-Purpose Programmable Linear Hall-Effect Sensor with Integrated Capacitors", Feb. 24, 2016, DSH000178\_001EN. First release of the data sheet.
2. Data Sheet: "HAC 830 Robust Multi-Purpose Programmable Linear Hall-Effect Sensor with Integrated Capacitors", Dec. 19, 2018, DSH000178\_002EN. Second release of the data sheet.

### Major Changes:

- Package drawing updated
- Section 3.2. "A/D Converter" added
- 40 mT magnetic range in Table 3–2 removed
- Initial values for Sens<sub>INITIAL</sub> in Table 3–6 changed
- Sensitivity equation in Section 3.4.1. updated
- V<sub>OQ</sub> equation in Section 3.4.1. changed
- t<sub>NVMLife</sub> and T<sub>storage</sub> in Table added
- Characteristics (Table ) updated:
  - R<sub>OUT</sub> conditions
  - f<sub>OSC</sub> added
  - V<sub>OQ</sub> value
  - V<sub>OUTn</sub> value
  - R<sub>thja</sub> conditions
  - R<sub>thjc</sub> conditions
- Maximum values for t<sub>r(O)</sub> (Step Response Time of Output) added in Section
- Parameter A/D-Readout in Table 6–4 added
- Application circuit updated