

HAL[®] 1880

Programmable Linear Hall-Effect
Sensor in TO92 Package

ASIL|ready

Copyright, Warranty, and Limitation of Liability

The information and data contained in this document are believed to be accurate and reliable. The software and proprietary information contained therein may be protected by copyright, patent, trademark and/or other intellectual property rights of TDK-Micronas. All rights not expressly granted remain reserved by TDK-Micronas.

TDK-Micronas assumes no liability for errors and gives no warranty representation or guarantee regarding the suitability of its products for any particular purpose due to these specifications.

By this publication, TDK-Micronas does not assume responsibility for patent infringements or other rights of third parties which may result from its use. Commercial conditions, product availability and delivery are exclusively subject to the respective order confirmation.

Any information and data which may be provided in the document can and do vary in different applications, and actual performance may vary over time.

All operating parameters must be validated for each customer application by customers' technical experts. Any mention of target applications for our products is made without a claim for fit for purpose as this has to be checked at system level.

Any new issue of this document invalidates previous issues. TDK-Micronas reserves the right to review this document and to make changes to the document's content at any time without obligation to notify any person or entity of such revision or changes. For further advice please contact us directly.

Do not use our products in life-supporting systems, military, aviation, or aerospace applications! Unless explicitly agreed to otherwise in writing between the parties, TDK-Micronas' products are not designed, intended or authorized for use as components in systems intended for surgical implants into the body, or other applications intended to support or sustain life, or for any other application in which the failure of the product could create a situation where personal injury or death could occur.

No part of this publication may be reproduced, photocopied, stored on a retrieval system or transmitted without the express written consent of TDK-Micronas.

TDK-Micronas Trademarks

– HAL

Third-Party Trademarks

All other brand and product names or company names may be trademarks of their respective companies.

Contents

| Page | Section | Title |
|-------------|----------------|--|
| 4 | 1. | Introduction |
| 5 | 1.1. | Major Applications |
| 5 | 1.2. | Features |
| 6 | 2. | Ordering Information |
| 6 | 2.1. | Device-Specific Ordering Codes |
| 7 | 3. | Functional Description |
| 7 | 3.1. | General Function |
| 8 | 3.2. | Digital Signal Processing and EEPROM |
| 9 | 3.2.1. | Digital Output Register |
| 9 | 3.2.2. | Output Scaling Register |
| 10 | 3.2.3. | Micronas ID Number Registers |
| 10 | 3.2.4. | Customer Setup 1 Registers |
| 12 | 3.2.5. | Customer Setup 2 Register |
| 13 | 3.2.6. | Signal Path |
| 14 | 3.3. | On-Board Diagnostic Features |
| 15 | 3.4. | Sensor Calibration |
| 15 | 3.4.1. | General Procedure for Development or Evaluation Purposes |
| 15 | 3.4.2. | Locking the Sensor |
| 16 | 4. | Specifications |
| 16 | 4.1. | Outline Dimensions |
| 20 | 4.2. | Soldering, Welding and Assembly |
| 20 | 4.3. | Pin Connections and Short Descriptions |
| 20 | 4.4. | Dimensions of Sensitive Area |
| 20 | 4.5. | Output/Magnetic-Field Polarity |
| 21 | 4.6. | Absolute Maximum Ratings |
| 22 | 4.7. | Storage and Shelf Life |
| 22 | 4.8. | Recommended Operating Conditions |
| 23 | 4.9. | Characteristics |
| 26 | 4.9.1. | Definition of t_{POD} |
| 27 | 4.10. | Power-On Reset / Undervoltage Detection |
| 27 | 4.11. | Output Voltage in Case of Error Detection |
| 28 | 4.12. | Magnetic Characteristics |
| 29 | 4.12.1. | Definition of Sensitivity Error ES |
| 30 | 5. | Application Notes |
| 30 | 5.1. | Ambient Temperature |
| 30 | 5.2. | EMC |
| 31 | 5.3. | Application Circuit |
| 32 | 5.4. | Temperature Compensation |
| 33 | 6. | Programming of the Sensor |
| 33 | 6.1. | Programming Interface |
| 34 | 6.2. | Programming Environment and Tools |
| 34 | 6.3. | Programming Information |
| 35 | 7. | Document History |

Release Note: Revision bars indicate significant changes to the previous edition.

Programmable Linear Hall-Effect Sensor in TO92 Package

1. Introduction

The HAL 1880 is a universal programmable Hall-effect sensor with a ratiometric, linear analog output proportional to the magnetic flux density applied to the sensor surface. The sensor can be used for magnetic-field measurements such as current measurements and detection of mechanical movement, like for small-angle or distance measurements. The sensor is robust and can be used in harsh electrical and mechanical environments.

Major characteristics like magnetic-field range, sensitivity, offset (output voltage at zero magnetic field) and the temperature coefficients are programmable in a non-volatile memory. Several output signal clamping levels can be programmed. Diagnostic features are implemented to indicate various fault conditions like undervoltage, under-/overflow or overtemperature.

The HAL 1880 is programmable by modulating the supply voltage with a serial telegram on the sensor's output pin or supply pin. No additional programming pin is needed. Several sensors on the same supply line can be programmed individually (communication through OUT pins). This programmability allows a 2-point calibration by adjusting the output signal directly to the input signal, such as mechanical angle, distance or current.

Individual adjustment of each sensor during the customer's manufacturing process is possible. With this calibration procedure, the tolerance of the sensor, the magnet and the mechanical positioning can be compensated in the final assembly.

The spinning-current offset compensation leads to stable magnetic characteristics over supply voltage and temperature. Furthermore, the first and second order temperature coefficients of the sensor sensitivity can be used to compensate the temperature drift of all common magnetic materials. This enables operation over the full temperature range with high accuracy.

The calculation of the individual sensor characteristics and the programming of the EEPROM memory can easily be done with a PC and the application kit from TDK-Micronas.

The sensor is designed for industrial and automotive applications, is AEC-Q100 qualified, and operates in the junction temperature range from -40 °C up to 170 °C . The HAL 1880 is available in the very small leaded package TO92UA-1 and TO92UA-2.

1.1. Major Applications

Thanks to the sensor's robust and cost-effective design, the HAL 1880 is the optimal system solution for applications such as:

- Small-angle or linear position measurements
- Gear position detection in transmission application
- Current sensing for battery management
- Rotary selector

1.2. Features

- Ratiometric linear output proportional to the magnetic field
- Digital signal processing
- Continuous measurement ranges from ± 20 mT to ± 160 mT
- Selectable clamping levels with selectable diagnosis
- Comprehensive diagnostic feature set
- Lock function and built-in redundancy for EEPROM memory
- Programmable temperature characteristics for matching all common magnetic materials
- Programming via output pin or supply voltage modulation
- On-chip temperature compensation
- Active offset compensation
- Operates from -40 °C up to 170 °C junction temperature
- Operates from 4.5 V up to 5.5 V supply voltage in specification
- Operates with static and dynamic magnetic fields up to 5 kHz
- Selectable sampling frequency (8 kHz or 16 kHz)
- Overvoltage and reverse-voltage protection at VSUP pin
- Magnetic characteristics extremely robust against mechanical stress
- Short-circuit protected push-pull output
- EMC and ESD optimized design
- AEC-Q100 qualified

2. Ordering Information

A Micronas device is available in a variety of delivery forms. They are distinguished by a specific ordering code:

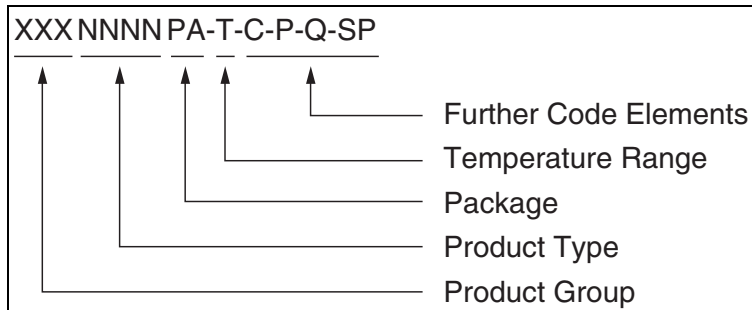


Fig. 2–1: Ordering code principle

For a detailed information, please refer to the brochure: “Sensors and Controllers: Ordering Codes, Packaging, Handling”.

2.1. Device-Specific Ordering Codes

HAL 1880 is available in the following package and temperature variants.

Table 2–1: Available packages

| Package Code (PA) | Package Type |
|-------------------|--------------|
| UA | TO92UA |

Table 2–2: Available temperature ranges

| Temperature Code (T) | Temperature Range |
|----------------------|--|
| A | $T_J = -40\text{ °C to }170\text{ °C}$ |

The relationship between ambient temperature (T_A) and junction temperature (T_J) is explained in Section 5.1. on page 30.

For available variants for Configuration (C), Packaging (P), Quantity (Q), and Special Procedure (SP) please contact TDK-Micronas.

Table 2–3: Available ordering codes and corresponding package marking

| Available Ordering Codes | Package Marking |
|--------------------------|-----------------|
| HAL 1880UA-A-[C-P-Q-SP] | 1880A |

3. Functional Description

3.1. General Function

The HAL 1880 is a monolithic integrated circuit (IC) which provides an output voltage proportional to the magnetic flux through the Hall plate and proportional to the supply voltage (ratiometric behavior).

The Hall IC is sensitive to magnetic north and south polarity. This Hall voltage is converted to a digital value, processed in the Digital Signal Processing unit (DSP) according to the settings of the EEPROM registers, converted back to an analog voltage by a D/A converter (DAC) and buffered by a push-pull output stage. Selectable clamping levels for the output voltage as well as diagnostic features are available. The function and the parameter for the DSP are explained in Section 3.2. on page 8. Internal temperature compensation circuitry and spinning-current offset compensation enable operation over the full temperature range with minimal degradation in accuracy and offset. The circuitry also rejects offset shifts due to mechanical stress from the package. In addition, the sensor IC is equipped with devices for overvoltage and reverse polarity protection at supply pin.

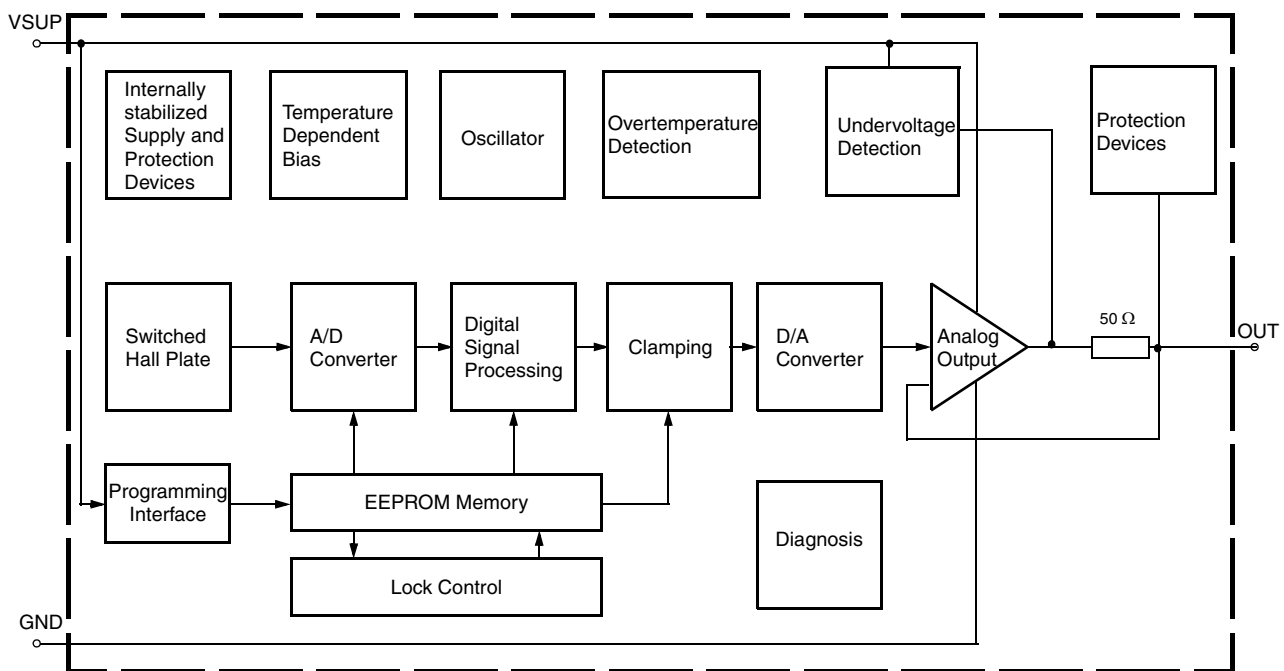


Fig. 3–1: HAL 1880 block diagram

The IC can be programmed via supply or output pin voltage modulation. After detecting a command, the sensor reads or writes the memory and answers with a digital signal on the output pin. As long as the LOCK register is not set, the output characteristic can be adjusted by programming the EEPROM registers. The LOCK register disables the programming of the EEPROM memory. This register cannot be reset.

Furthermore, HAL 1880 features an internal error detection. The following error modes can be detected: over-/underflow in adder or multiplier, over-/underflow in A/D converter (ADC) and overtemperature.

3.2. Digital Signal Processing and EEPROM

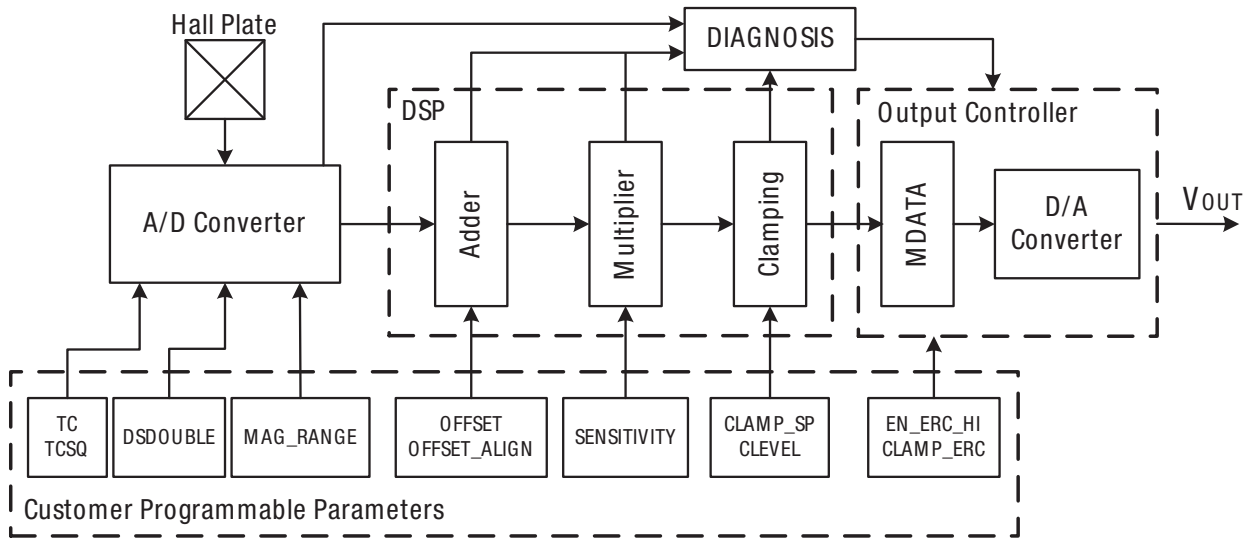


Fig. 3–2: Details of Programming Parameter and Digital Signal Processing

Table 3–1: Cross reference table for EEPROM register and sensor parameter

| EEPROM-Register | Parameter | Data Bits | Function |
|------------------|--------------|-----------|--|
| Customer Setup 1 | DSDOUBLE | 1 | Sampling frequency |
| | CLEVEL | 2 | Output clamping values selection |
| | EN_ERC_HI | 1 | Enables High and Low error band |
| | TC_FINE | 1 | Fine adjustment of linear temperature coefficient |
| Customer Setup 2 | LOCK | 1 | Customer lock |
| | CLAMP_SP | 1 | Activates unbalanced clamping levels |
| | OFFSET_ALIGN | 1 | Magnetic offset alignment bit (MSB or LSB aligned) |
| | TCSQ | 5 | Quadratic temperature coefficient |
| Output Scaling | TC | 5 | Linear temperature coefficient |
| | MAG_RANGE | 3 | Available magnetic ranges |
| | SENSITIVITY | 8 | Magnetic sensitivity |
| | OFFSET | 8 | Magnetic offset |
| Micronas ID1 | MIC_ID_1 | 16 | Micronas production information (read only) |
| Micronas ID2 | MIC_ID_2 | 16 | Micronas production information (read only) |

Note For more information on the registers and the memory map of the HAL1880, please refer to the application note “HAL1880/HAL 1890 User Manual”.

The DSP is a key function of this sensor and performs the signal conditioning. The parameters for the DSP are stored in the EEPROM registers. Details are shown in Fig. 3–2 on page 8.

The measurement data can be readout from the digital output register MDATA.

3.2.1. Digital Output Register

MDATA register

This 16-bit register delivers the actual digital value of the applied magnetic field after the signal processing. This register can only be read out, and it is the basis for the calibration procedure of the sensor in the customer application. Only 10 bits of the register contain valid data. The MDATA range is from –512 to 511.

The area in the EEPROM accessible to the customer consists of registers with a size of 16 bits each.

For SENSITIVITY = 1 the MDATA value will increase for negative magnetic fields (north pole) on the branded side of the package (positive MDATA values).

Note During application design, it shall be taken into consideration that the MDATA value should not saturate in the full operational range of the specific application.

3.2.2. Output Scaling Register

The Output Scaling register contains the bits for magnetic sensitivity (SENSITIVITY) and magnetic offset (OFFSET).

SENSITIVITY

The SENSITIVITY bits define the parameter for the multiplier in the DSP and is programmable between [–2...2] in steps of 0.0156. SENSITIVITY = 1 (at Offset = 0) corresponds to full-scale (FS) of the output signal if the A/D converter value has reached the full-scale value. The SENSITIVITY register has a resolution of 8 bits.

OFFSET

The OFFSET bits define the parameter for the adder in the DSP.

The customer can decide if the offset is MSB aligned or LSB aligned. The MSB or LSB alignment is enabled by an additional offset alignment bit (OFFSET_ALIGN). In case this bit is set to 1, the offset is programmable from –25% up to 25% of V_{SUP} . If the OFFSET_ALIGN bit is set to zero, then the offset covers only 1/8 of the full-scale (–6.25% up to 6.25% of V_{SUP}) but with finer step size. The customer can adjust the offset symmetrically around 50% of V_{SUP} . The OFFSET register can be set with 8-bit resolution.

3.2.3. Micronas ID Number Registers

Micronas ID Number registers contain 16 bits each. TDK-Micronas will use the registers to store production information like wafer position, wafer number and production lot number. These two registers can be read by the customer.

3.2.4. Customer Setup 1 Registers

The Customer Setup 1 register contains the bits to select the sampling frequency, to enable/disable the High Error Band for error indication, and to define the output signal clamping levels.

DSDOUBLE

The bit DSDOUBLE allows to double the sampling frequency. The permitted values are 8 kHz and 16 kHz, corresponding to a bandwidth of 2.5 kHz and 5 kHz.

CLEVEL

The 2-bit CLEVEL together with CLAMP_SP select the clamping levels, i.e. the maximum and minimum output voltage levels of the analog output. The following choices are available {CLAMP_SP:CLEVEL}:

Table 3–2: Clamping level definition

| CLAMP_SP | CLEVEL | Clamping Level (%VSUP) | |
|----------|--------|------------------------|------------|
| | | low | high |
| 0 | 00 | V_{OUTL} | V_{OUTH} |
| 0 | 01 | 5 | 95 |
| 0 | 10 | 10 | 90 |
| 0 | 11 | 15 | 85 |
| 1 | 00 | 5 | 90 |
| 1 | 01 | 10 | 95 |
| 1 | 10 | 20 | 90 |
| 1 | 11 | 10 | 80 |

Clamping is normally not considered as an error. However, the user is able to activate the clamping error code by setting the CLAMP_ERC bit of the Customer Setup 1 register. In that case the output will be forced to the Low Error Band (V_{DIAG_L}) or High Error Band (V_{DIAG_H}), as soon as the output signal reaches the programmed clamping levels. The upper error band is realized by setting the MDATA register to maximum value. The resulting clamping behavior therefore depends on the selection of the clamping levels, the setting of the CLAMP_ERC bit, and the setting of the EN_ERC_HI bit (Error Code Selection). All possible clamping variations are shown in Fig. 3–3.

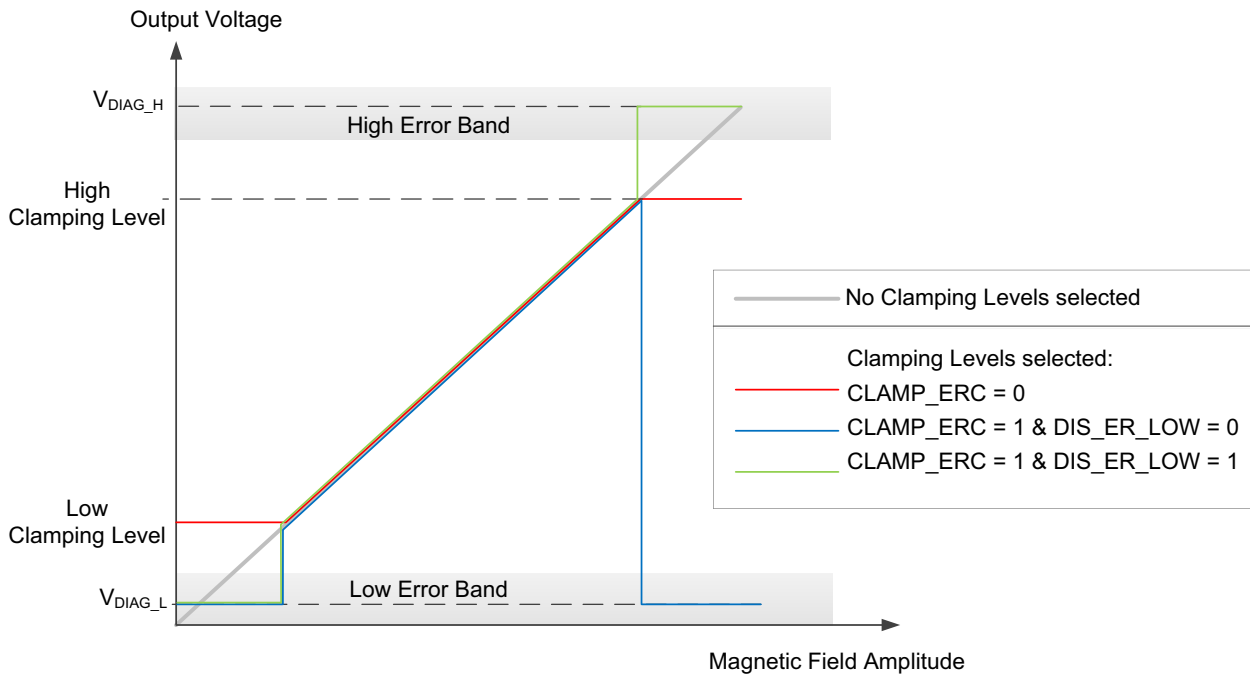


Fig. 3–3: HAL 1880 clamping behavior

3.2.5. Customer Setup 2 Register

Customer Setup 2 register contains the bits for magnetic range (MAG_RANGE), linear and quadratic temperature coefficients (TC and TCSQ), magnetic offset alignment (OFFSET_ALIGN), unbalanced clamping levels (CLAMP_SP) and the customer lock bit.

MAG_RANGE

The MAG_RANGE bits are used to set the magnetic measurement range. The following eight measurement ranges are available:

Table 3–3: MAG_RANGE bit definition

| Magnetic-Field Range | Bit Setting | Comment |
|----------------------|-------------|---------|
| –20 mT...20 mT | 0 | |
| –40 mT...40 mT | 1 | |
| –60 mT...60 mT | 2 | |
| –80 mT...80 mT | 3 | |
| –100 mT...100 mT | 4 | |
| –120 mT...120 mT | 5 | |
| –140 mT...140 mT | 6 | |
| –160 mT...160 mT | 7 | |

TC and TCSQ

The temperature dependence of the magnetic sensitivity can be adapted to different magnetic materials in order to compensate for the change of the magnetic strength with temperature. The adaption is done by programming the TC (linear temperature coefficient) and the TCSQ registers (quadratic temperature coefficient). Thereby, the slope and the curvature of the temperature dependence of the magnetic sensitivity can be matched to the magnet and the sensor assembly. As a result, the output signal characteristic can be fixed over the full temperature range. The sensor can compensate for linear temperature coefficients ranging from about –3100 ppm/K up to 2550 ppm/K and quadratic coefficients from about

–7 ppm/K² to 15 ppm/K² (typical range). Min. and max. values for the quadratic temperature coefficient depend on the linear temperature coefficient. Please refer to Section 5.4. on page 32 for the recommended settings for different linear temperature coefficients.

Magnetic Offset Alignment Bit (OFFSET_ALIGN)

Please refer to Section 3.2.2. on page 9 (OFFSET).

LOCK

By setting this 1-bit register, all registers will be locked, and the EEPROM content can not be changed anymore. The LOCK bit is active after the first power-off and power-on sequence after setting the LOCK bit.

Warning This register cannot be reset!

3.2.6. Signal Path

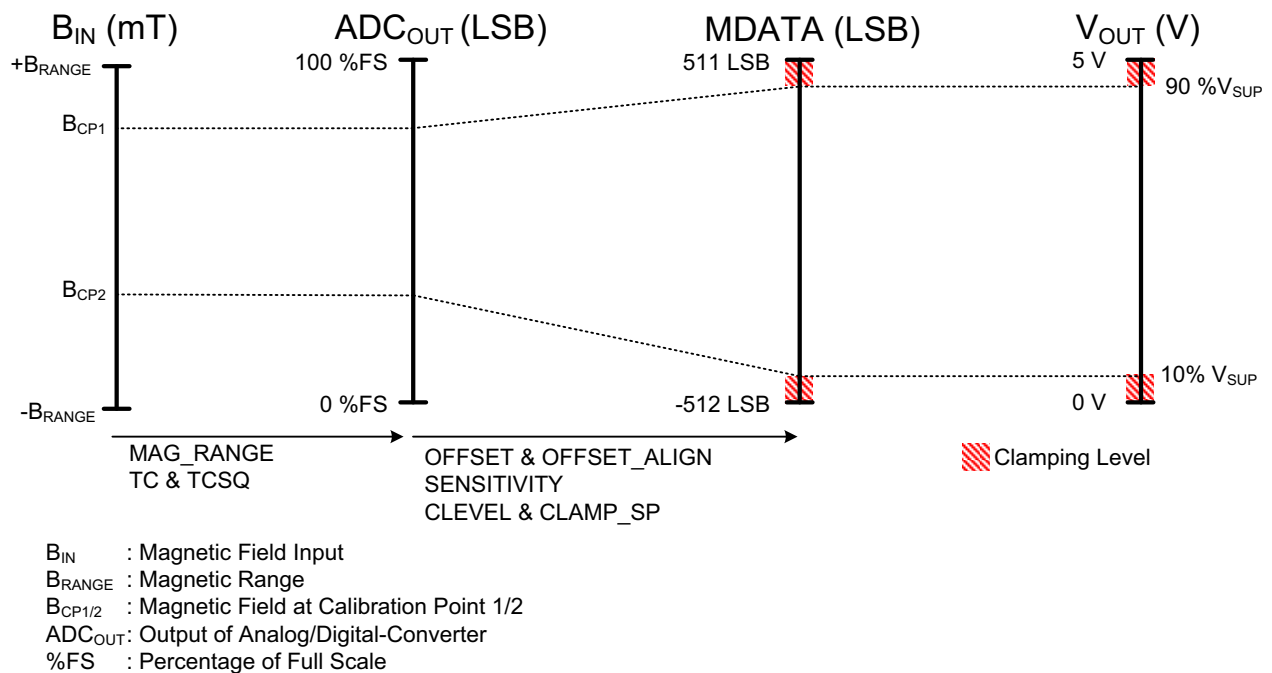


Fig. 3–4: Signal path of HAL1880 (example with 10 %FS / 90 %FS)

Fig. 3–4 shows the signal path and signal processing of HAL1880. The measurement output value $MDATA$ is calculated with the output value of the ADC by the following equation.

$$MDATA = SENSITIVITY \times (ADC_{OUT} + OFFSET)$$

The parameters $OFFSET$ and $SENSITIVITY$ are two's complement encoded 8-bit values (see Section 3.2.5. on page 12).

3.3. On-Board Diagnostic Features

The HAL 1880 features following diagnostic functions:

– **Thermal supervision of the output stage (overcurrent, short circuit, etc.)**

The sensor switches the output to tristate if overtemperature is detected by the thermal supervision.

– **Undervoltage detection with internal reset**

The occurrence of an undervoltage is indicated immediately by switching the output to V_{DIAG_L} . The output will be kept at V_{DIAG_L} after the end of an undervoltage detection event until a correct measurement value is available. This delay time depends on the selected sampling frequency.

– **Magnetic signal amplitude out of range (overflow or underflow in ADC)**

– **Over-/underflow in adder or multiplier**

These faults are visible at the output as long as present and will force the output to the Low Error Band or High Error Band (see V_{DIAG_L} and V_{DIAG_H} in Section 4.11. on page 27), depending on the source of the faults, and the customer parameter settings, such as the sign of the sensitivity and the Error Code Selection bit (see Table 3–4).

Table 3–4: Error code source and settings combinations

| Settings | | Source | | | | | |
|---------------------|-----------|---------------|---------------|---------------|---------------|---------------|---------------|
| Sign of SENSITIVITY | EN_ERC_HI | A/D Converter | | Adder | | Multiplier | |
| | | Underflow | Overflow | Underflow | Overflow | Underflow | Overflow |
| + | 1 | V_{DIAG_L} | V_{DIAG_H} | V_{DIAG_L} | V_{DIAG_H} | V_{DIAG_L} | V_{DIAG_H} |
| – | | V_{DIAG_H} | V_{DIAG_L} | V_{DIAG_H} | V_{DIAG_L} | | |
| ± | 0 | V_{DIAG_L} | | V_{DIAG_L} | | V_{DIAG_L} | |

3.4. Sensor Calibration

3.4.1. General Procedure for Development or Evaluation Purposes

For calibration of the sensor in the customer application, the development tool kit from TDK-Micronas is recommended. It contains the hardware for the generation of the serial telegram during programming and the corresponding software to program the various register values of register values.

For the individual calibration of each sensor in the final customer application, a two-point adjustment is recommended. Please refer to “HAL 1880 / HAL 1890 User Manual” for further details on calibration procedure.

3.4.2. Locking the Sensor

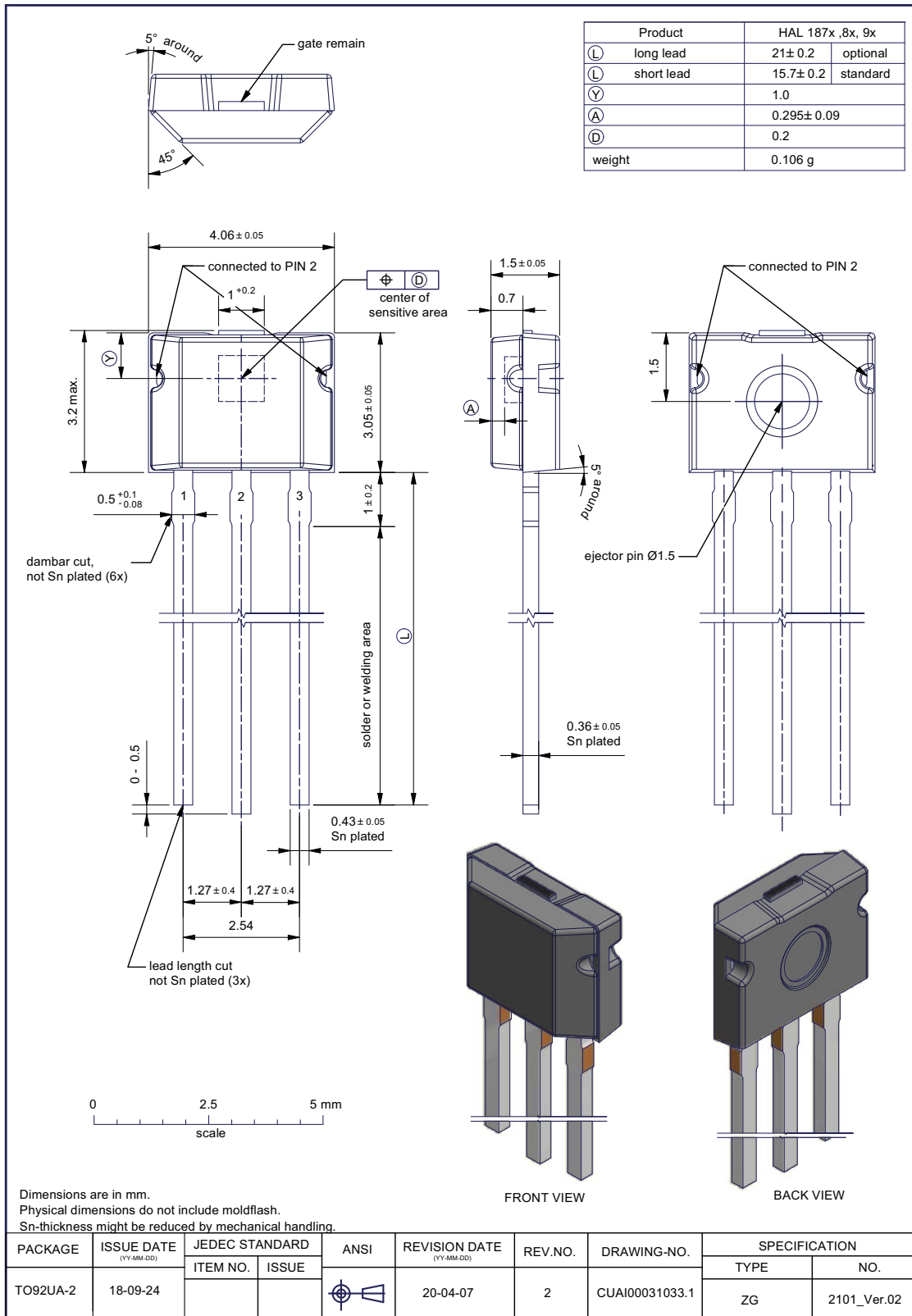
For qualification and production purpose the device has to be locked in order to guarantee its functionality.

The last programming step activates the memory lock function by setting the LOCK bit. Please note that the memory lock function becomes effective after power-down and power-up of the Hall IC. The sensors EEPROM is then locked and its content can not be changed nor read anymore.

Warning This register cannot be reset!

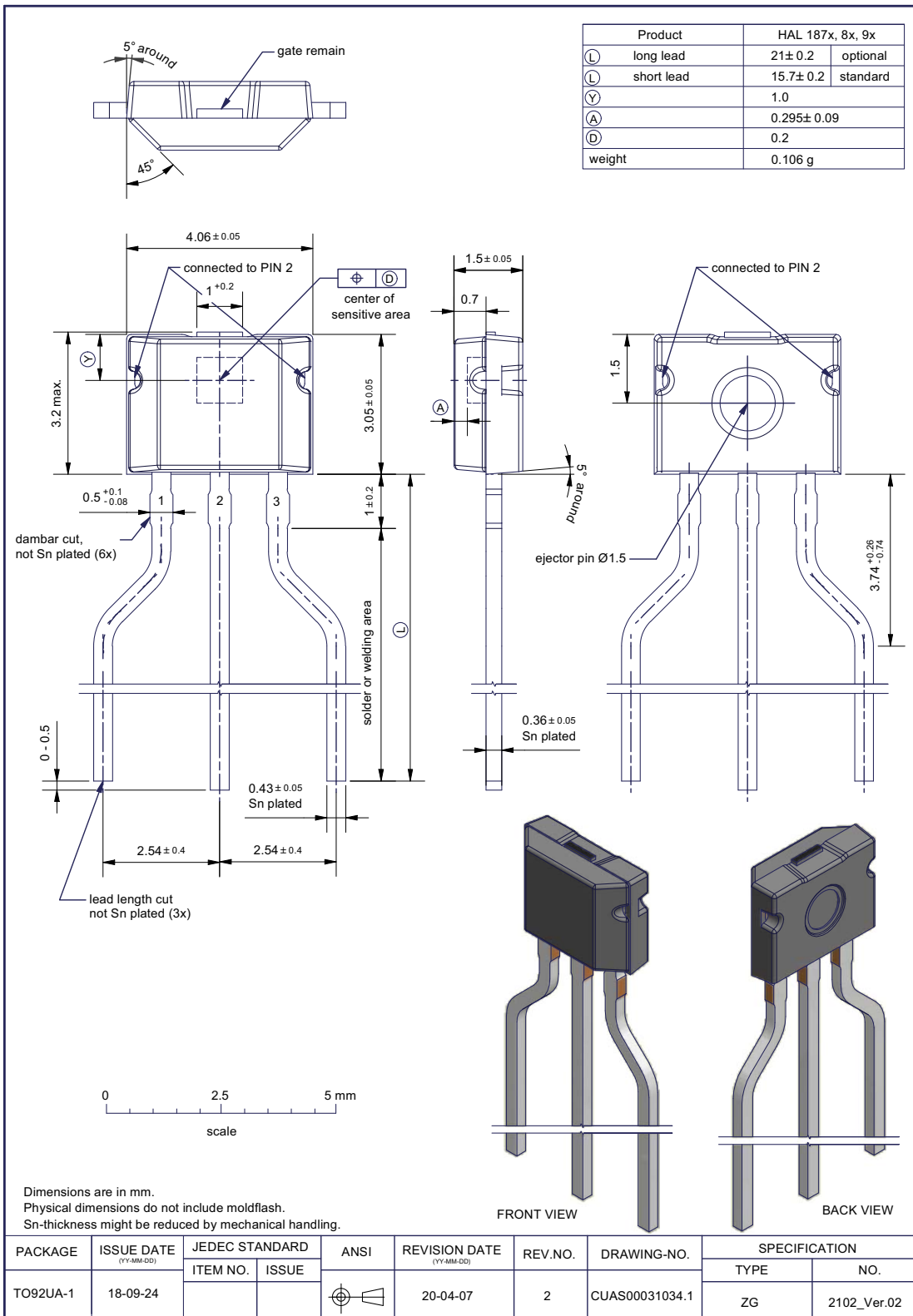
4. Specifications

4.1. Outline Dimensions



● Copyright 2018 TDK-Micronas GmbH, all rights reserved

Fig. 4-1:
TO92UA-2 Plastic Transistor Standard UA package, 3 leads, non-spread



© Copyright 2018 TDK-Micronas GmbH, all rights reserved

Fig. 4-2:
TO92UA-1 Plastic Transistor Standard UA package, 3 leads, spread

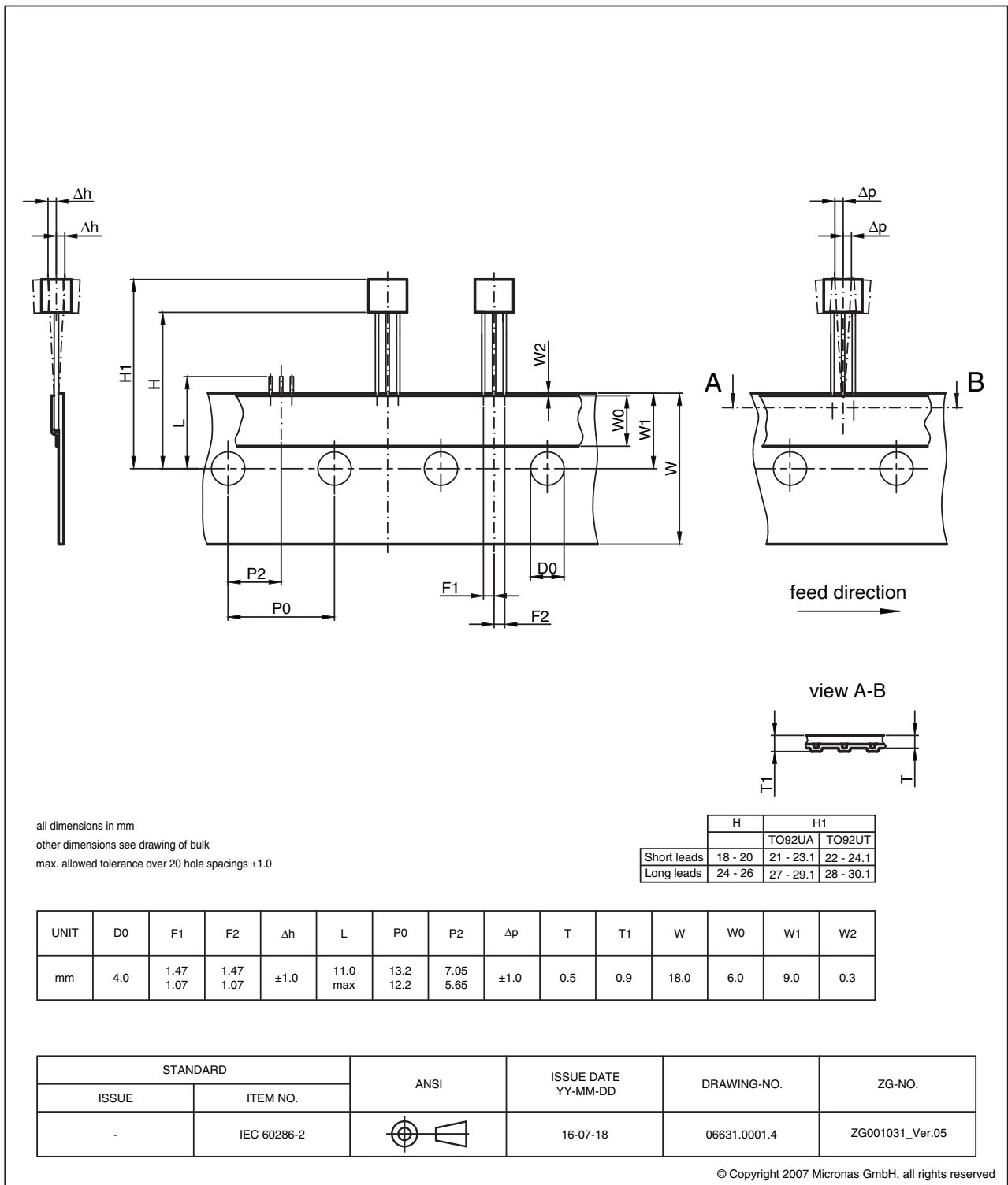


Fig. 4-3:
TO92UA: Dimensions ammpack inline, not spread, standard lead length

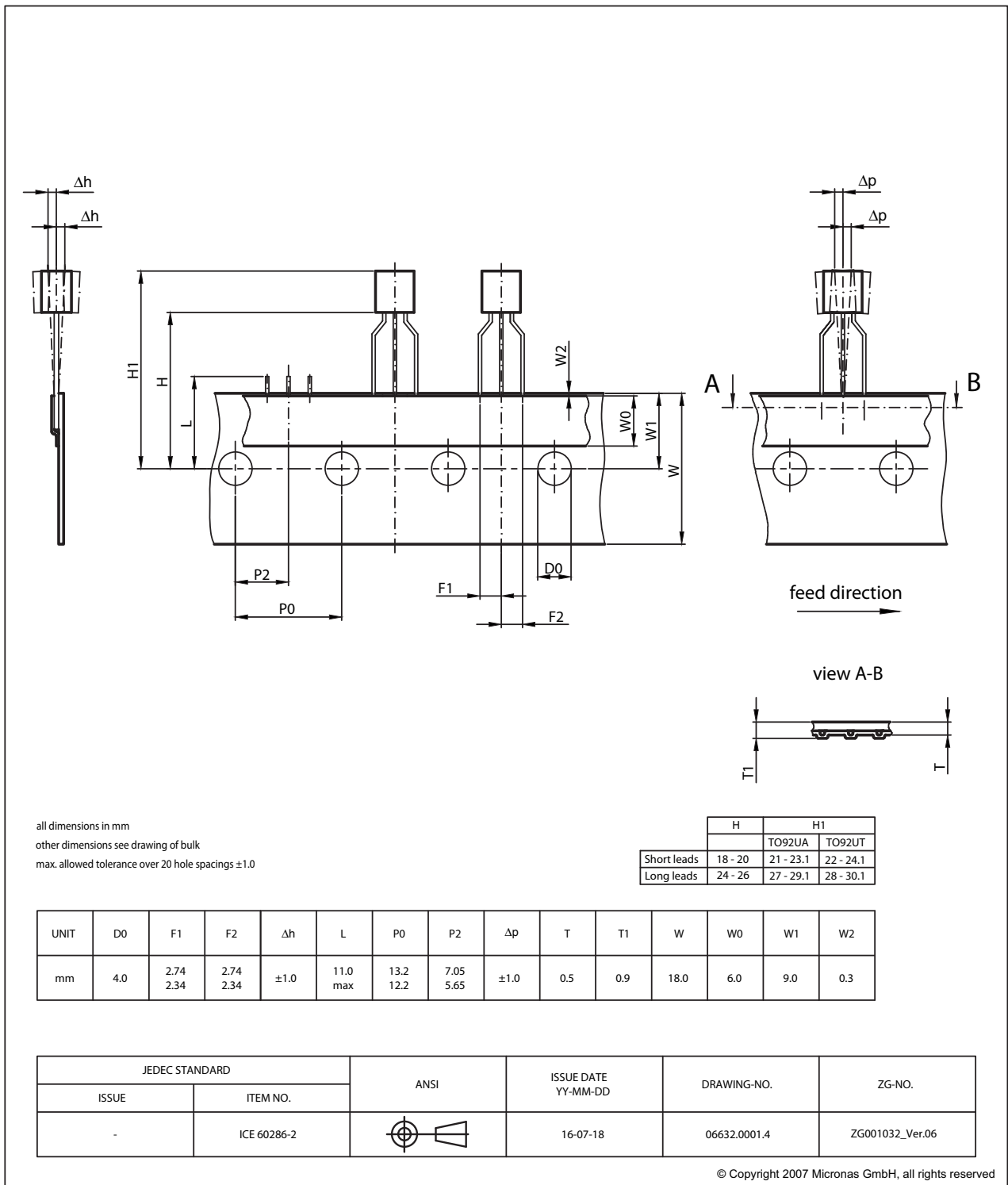


Fig. 4-4:
TO92UA: Dimensions ammpack inline, spread, standard lead length

4.2. Soldering, Welding and Assembly

Information related to solderability, welding, assembly, and second-level packaging is included in the document “Guidelines for the Assembly of Micronas Packages”.

It is available on the TDK-Micronas website (<https://www.micronas.com/en/service-center/downloads>) or on the service portal (<https://service.micronas.com>).

4.3. Pin Connections and Short Descriptions

| Pin No. | Pin Name | Short Description |
|---------|----------|--------------------|
| 1 | VSUP | Supply Voltage Pin |
| 2 | GND | Ground |
| 3 | OUT | Push-Pull Output |

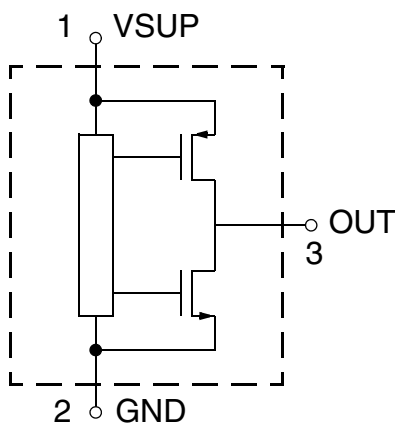


Fig. 4–5: Pin configuration

4.4. Dimensions of Sensitive Area

Hall plate area = 0.2 mm × 0.1 mm

See Fig. 4–1 on page 16 for more information on the Hall plate position.

4.5. Output/Magnetic-Field Polarity

Applying a south-pole magnetic field perpendicular to the branded side of the package will increase the output voltage (for SENSITIVITY <0) from the quiescent (offset) voltage towards the supply voltage. A north-pole magnetic field will decrease the output voltage. The output logic will be inverted for a SENSITIVITY setting >0.

4.6. Absolute Maximum Ratings

Stresses beyond those listed in the “Absolute Maximum Ratings” may cause permanent damage to the device. This is a stress rating only. Functional operation of the device at these conditions is not implied. Exposure to absolute maximum rating conditions for extended periods will affect device reliability.

This device contains circuitry to protect the inputs and outputs against damage due to high static voltages or electric fields; however, it is advised that normal precautions must be taken to avoid application of any voltage higher than absolute maximum-rated voltages to this circuit.

All voltages listed are referenced to ground (GND).

| Symbol | Parameter | Pin No. | Min. | Max. | Unit | Notes |
|--|--|---------|--|-------------------|------|---|
| V _{SUP} | Supply Voltage | 1 | -8.5 -14.4 -15 | 8.5 14.4 16 | V | t < 96 h ²⁾ t < 10 min ²⁾³⁾ t < 1 min ²⁾³⁾ |
| V _{OUT} | Output Voltage | 3 | -0.5 ¹⁾ -0.5 ¹⁾ -0.5 ¹⁾ | 8.5 14.4 16 | V | t < 96 h ²⁾ t < 10 min ²⁾ t < 1 min ²⁾ |
| V _{OUT} -V _{SUP} | Excess of Output Voltage over Supply Voltage | 1, 3 | - | 0.5 | V | |
| I _{OUT} | Continuous Output Current | 3 | -5 | 5 | mA | |
| t _{sh} | Output Short Circuit Duration | 3 | - | 10 | min | |
| T _J | Junction Temperature under Bias | | -40 | 190 | °C | 4) |
| T _{STORAGE} | Transportation/Short-Term Storage Temperature | | -55 | 150 | °C | Device only without packing material |
| V _{ESD} | ESD Protection at V _{SUP} ⁵⁾ | 1 | -4.0 | 4.0 | kV | |
| | ESD Protection at OUT ⁵⁾ | 3 | -8.0 | 8.0 | kV | |
| 1) Internal protection resistor = 50 Ω 2) No cumulated stress 3) As long as T _{Jmax} is not exceeded 4) For 96 h - Please contact TDK-Micronas for other temperature requirements 5) AEC-Q100-002 (100 pF and 1.5 kΩ) | | | | | | |

4.7. Storage and Shelf Life

Information related to storage conditions of Micronas sensors is included in the document “Guidelines for the Assembly of Micronas Packages”. It gives recommendations linked to moisture sensitivity level and long-term storage.

It is available on the TDK-Micronas website (<https://www.micronas.com/en/service-center/downloads>) or on the service portal (<https://service.micronas.com>).

4.8. Recommended Operating Conditions

Functional operation of the device beyond those indicated in the “Recommended Operating Conditions/Characteristics” is not implied and may result in unpredictable behavior of the device and may reduce reliability and lifetime.

All voltages listed are referenced to ground (GND).

| Symbol | Parameter | Pin No. | Min. | Typ. | Max. | Unit | Notes |
|------------------|--|---------|-------------------|-------------|-------------------|------|--|
| V _{SUP} | Supply Voltage | 1 | 4.5 5.7 | 5 6 | 5.5 8.0 | V | Normal operation During programming |
| I _{OUT} | Continuous Output Current | 3 | -1 | - | 1 | mA | |
| R _L | Load Resistor | 3 | 5.5 | 10 | - | kΩ | |
| C _L | Load Capacitance | 3 | 0.33 | - | 47 | nF | |
| N _{PRG} | Number of EEPROM Programming Cycles | - | - | - | 100 | - | 0 °C < T _{amb} < 55 °C |
| T _J | Junction Operating Temperature ¹⁾ | - | -40 -40 -40 | - - - | 125 150 170 | °C | for 8000 h ²⁾ for 2000 h ²⁾ for 1000 h ²⁾ |

¹⁾ Depends on the temperature profile of the application. Please contact TDK-Micronas for life time calculations.

²⁾ Time values are not cumulative.

4.9. Characteristics

at $T_J = -40\text{ °C}$ to 170 °C , $V_{SUP} = 4.5\text{ V}$ to 5.5 V , $GND = 0\text{ V}$, after programming the sensor and locking the EEPROM, at Recommended Operation Conditions if not otherwise specified in the column "Notes". Typical characteristics for $T_J = 25\text{ °C}$ and $V_{SUP} = 5\text{ V}$.

| Symbol | Parameter | Pin No. | Min. | Typ. | Max. | Unit | Notes |
|--|--|---------|------|------|------|------|---|
| I_{SUP} | Supply Current over Temperature Range | 1 | 5 | 6.75 | 8.5 | mA | |
| Signal | | | | | | | |
| – | Resolution | 3 | – | 10 | – | Bit | |
| f_s | Sampling Frequency | – | – | 8 | – | kHz | DSDOUBLE = 0 |
| | | – | – | 16 | – | kHz | DSDOUBLE = 1 |
| INL | Non-Linearity of Output Voltage over Temperature ²⁾ | 3 | –1.0 | 0 | 1.0 | % | % of Supply Voltage (Linear regression) $T_J = 25\text{ °C}$ |
| E_R | Ratiometric Error of Output over Temperature (Error in V_{OUT}/V_{SUP}) | 3 | –1.0 | 0 | 1.0 | % | |
| V_{OUTH} | Analog Output High Voltage limit of linear range output | 3 | 4.7 | 4.9 | – | V | $V_{SUP} = 5\text{ V}$, $I_{OUT} = \pm 1\text{ mA}$ |
| V_{OUTL} | Analog Output Low Voltage limit of linear range output | 3 | – | 0.1 | 0.3 | V | $V_{SUP} = 5\text{ V}$, $I_{OUT} = \pm 1\text{ mA}$ |
| BW | Small Signal Bandwidth (-3 dB) ²⁾ | 3 | 2.25 | 2.5 | – | kHz | $B_{AC} < 10\text{ mT}$, $f_s = 8\text{ kHz}$ $f_s = 16\text{ kHz}$ |
| | | | 4.5 | 5 | – | kHz | |
| ¹⁾ Guaranteed by design ²⁾ Characterized on small sample size, not tested | | | | | | | |

| Symbol | Parameter | Pin No. | Min. | Typ. | Max. | Unit | Notes | |
|--|---------------------------------------|---------|------|------|------|-------------------|---|--------|
| CLAMP _L | Clamp Low ¹⁾ | 3 | – | 0 | – | %V _{SUP} | CLAMP_SP | CLEVEL |
| | | | – | 5 | – | | 0 | 00 |
| | | | – | 10 | – | | 0 | 01 |
| | | | – | 15 | – | | 0 | 10 |
| | | | – | 5 | – | | 0 | 10 |
| | | | – | 10 | – | | 1 | 00 |
| | | | – | 20 | – | | 1 | 01 |
| | | | – | 10 | – | | 1 | 10 |
| CLAMP _H | Clamp High ¹⁾ | 3 | – | 100 | – | %V _{SUP} | CLAMP_SP | CLEVEL |
| | | | – | 95 | – | | 0 | 00 |
| | | | – | 90 | – | | 0 | 01 |
| | | | – | 85 | – | | 0 | 10 |
| | | | – | 90 | – | | 0 | 10 |
| | | | – | 95 | – | | 1 | 00 |
| | | | – | 90 | – | | 1 | 01 |
| | | | – | 80 | – | | 1 | 10 |
| Output Pin | | | | | | | | |
| t _{r(O)} | Response Time of Output ²⁾ | 3 | – | 68 | 180 | μs | With DSDOUBLE=1 (f _s = 16 kHz) C _L = 10 nF, time from 10% to 90% of final output voltage for a magnetic input signal step from 0 mT to more than 50% of the magnetic range of the device. | |
| | | | – | 125 | 360 | μs | With DSDOUBLE=0 (f _s = 8 kHz) C _L = 10 nF, time from 10% to 90% of final output voltage for a magnetic input signal step from 0 mT to more than 50% of the magnetic range of the device. | |
| ¹⁾ Guaranteed by design ²⁾ Characterized on small sample size, not tested | | | | | | | | |

| Symbol | Parameter | Pin No. | Min. | Typ. | Max. | Unit | Notes |
|--|---|---------|------|------|------|------|---|
| t _{POD} | Power-Up Time (time to reach stabilized output voltage, ±10mV) ²⁾ | – | – | 400 | 500 | μs | C _L = 10 nF, 90% of V _{OUT} with DSDOUBLE = 0 f _s = 8 kHz |
| | | | – | 200 | 300 | μs | C _L = 10 nF, 90% of V _{OUT} with DSDOUBLE = 1 f _s = 16 kHz |
| V _{OUTn} | Output RMS Noise ²⁾ | 3 | – | 1.2 | 3.0 | mV | B = 5% to 95% of RANGE f _s = 8 kHz |
| | | | – | 2.7 | 8.2 | mV | B = 5% to 95% of RANGE f _s = 16 kHz |
| R _{OUT} | ESD Protection Resistance ¹⁾ | 3 | – | 60 | – | Ω | |
| TO92UA Package | | | | | | | |
| R _{thja} | Thermal Resistance Junction to Air | – | – | – | 250 | K/W | Determined with a 1s0p board |
| R _{thjc} | Junction to Case | – | – | – | 70 | K/W | |
| ¹⁾ Guaranteed by design ²⁾ Characterized on small sample size, not tested | | | | | | | |

4.9.1. Definition of t_{POD}

t_{POD} is the power-up time to reach a stabilized output (± 10 mV).

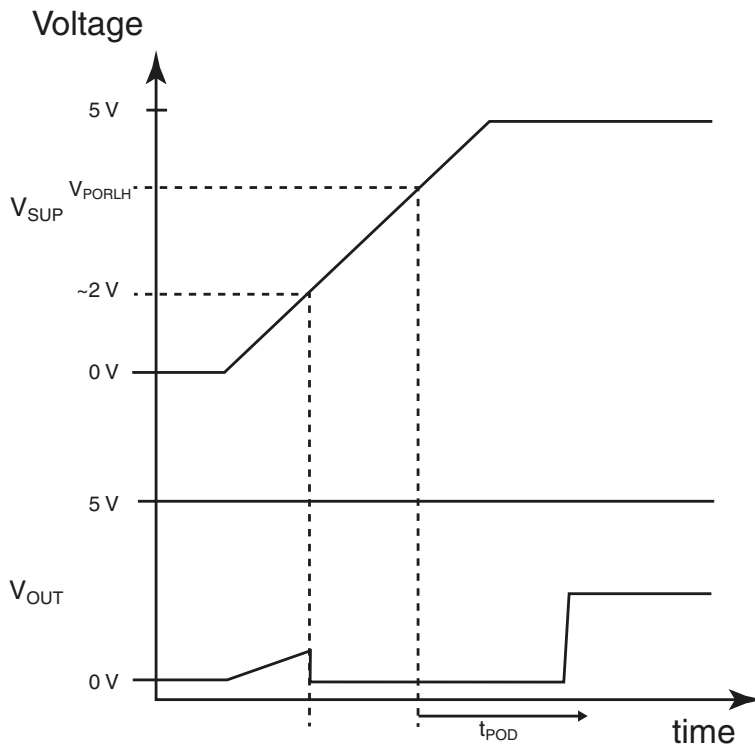


Fig. 4-6: Definition of t_{POD}

4.10. Power-On Reset / Undervoltage Detection

at $T_J = -40\text{ °C}$ to 170 °C , $GND=0\text{ V}$, typical characteristics for $T_J = 25\text{ °C}$, after programming and locking.

| Symbol | Parameter | Pin | Min. | Typ. | Max. | Unit | Test Conditions |
|---|--|-----|------|------|------|------|-----------------|
| V_{POR_LH} | Undervoltage Detection Level (Power-On Reset, Rising Supply) ¹⁾ | 1 | 4.15 | 4.3 | 4.45 | V | |
| V_{POR_HL} | Undervoltage Detection Level (Power-On Reset, Falling Supply) ¹⁾ | 1 | 3.9 | 4.05 | 4.2 | V | |
| V_{POR_HYS} | Undervoltage/POR Detection Level Hysteresis ¹⁾ | 1 | 150 | 225 | 300 | mV | |
| 1) Characterized on small sample size, not tested | | | | | | | |

4.11. Output Voltage in Case of Error Detection

at $T_J = -40\text{ °C}$ to 170 °C , typical characteristics for $T_J = 25\text{ °C}$, after programming and locking.

| Symbol | Parameter | Pin | Min. | Typ. | Max. | Unit | Notes |
|---------------|---|-----|------|------|------|------|---|
| V_{DIAG_L} | Output Voltage in case of Error Detection | 3 | 0 | 0.02 | 0.1 | V | $V_{SUP} = 5\text{ V}$ $R_L = 5\text{ k}\Omega$ pull-up |
| V_{DIAG_H} | Output Voltage in case of Error Detection | 3 | 4.7 | 4.9 | 5 | V | $V_{SUP} = 5\text{ V}$ $R_L = 5\text{ k}\Omega$ pull-down |

4.12. Magnetic Characteristics

at Recommended Operating Conditions if not otherwise specified in the column 'Notes', $T_J = -40\text{ °C}$ to 170 °C , $V_{SUP} = 4.5\text{ V}$ to 5.5 V , after programming the sensor and locking the EEPROM. Typical Characteristics for $T_A = 25\text{ °C}$ and $V_{SUP} = 5\text{ V}$.

| Symbol | Parameter | Pin No. | Values | | | Unit | Notes |
|--|--|---------|-------------|------|---------------|-------|--|
| | | | Min. | Typ. | Max. | | |
| RANGE _{ABS} | Absolute Magnetic Range of A/D Converter over temperature | – | 80 | 100 | 120 | % | % of nominal RANGE |
| RANGE | Magnetic-field range | – | ±20 | ±80 | ±160 | mT | |
| SENS | Sensitivity | 3 | ±10 | | ±55 | mV/mT | Depending on magnetic-field range ¹⁾ and SENSIVITY register content |
| ΔSens _{trim} | Trim Step for Absolute Sensitivity | 3 | 0.3 | | 1 | mV/mT | At min. sensitivity At max. sensitivity |
| ΔOffset _{trim} | Offset Trim | 3 | ±2.5 ±10 | | ±312 ±1250 | mV | OALN = 0 OALN = 1 |
| ES | Sensitivity Error over Temperature Range ¹⁾ | 3 | –6 | 0 | 6 | % | Part to part variation for certain combinations of TC and TCSQ (see Section 4.12.1.) |
| B _{OFFSET} | Magnetic Offset | 3 | –2 | 0 | 2 | mT | B = 0 mT, T _A = 25 °C |
| ΔB _{OFFSET} | Magnetic Offset Drift over temperature range ¹⁾ $B_{OFFSET}(T) - B_{OFFSET}(25\text{ °C})$ | 3 | –600 | 0 | 600 | μT | B = 0 mT, RANGE = ±40 mT, Sens = 100 mV/mT |
| B _{Hysteresis} | Magnetic Hysteresis ¹⁾ | 3 | –20 | 0 | 20 | μT | Range = ±40 mT |
| ¹⁾ Characterized on small sample size, not tested | | | | | | | |

4.12.1. Definition of Sensitivity Error ES

ES is the maximum of the absolute value of the quotient of the normalized measured value¹⁾ over the normalized ideal linear value²⁾ minus 1:

$$ES = \max\left(\text{abs}\left(\frac{\text{meas}}{\text{ideal}} - 1\right)\right) \Big|_{[T_{\min}, T_{\max}]}$$

In the example shown in Fig. 4–7 the maximum error occurs at –10 °C:

$$ES = \frac{1,001}{0,993} - 1 = 0.8\%$$

- 1) normalized to achieve a least-square-fit straight-line that has a value of 1 at 25 °C
- 2) normalized to achieve a value of 1 at 25 °C

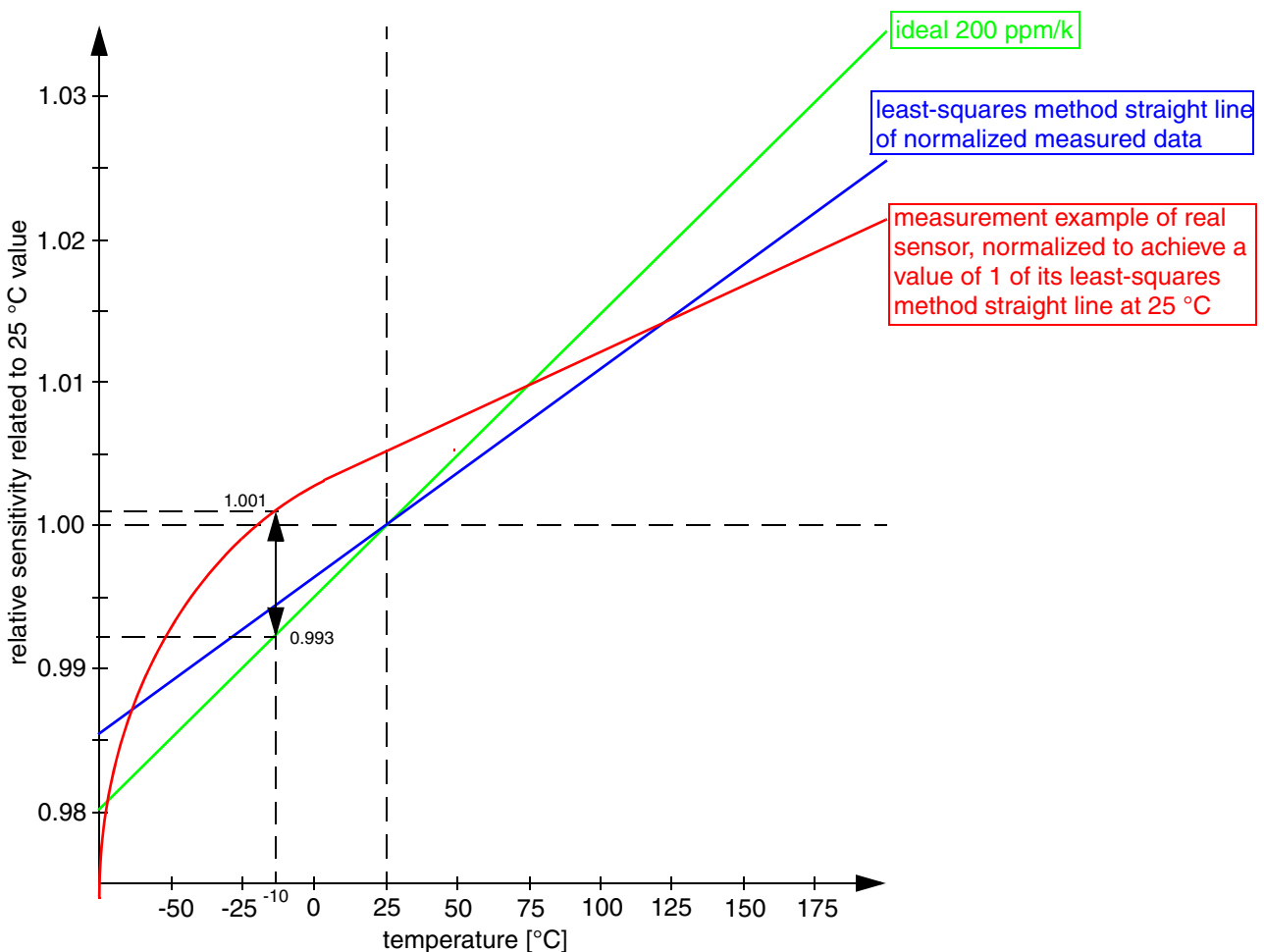


Fig. 4–7: Definition of Sensitivity Error ES

5. Application Notes

5.1. Ambient Temperature

Due to the internal power dissipation, the temperature on the silicon chip (junction temperature T_J) is higher than the temperature outside the package (ambient temperature T_A).

$$T_J = T_A + \Delta T$$

At static conditions and continuous operation, the following equation applies:

$$\Delta T = I_{SUP} * V_{SUP} * R_{thjX}$$

The X represents junction to air or to case.

In order to estimate the temperature difference ΔT between the junction and the respective reference (e.g. air, case, or solder point) use the max. parameters for I_{SUP} , R_{thX} , and the max. value for V_{SUP} from the application.

The following example shows the result for junction to air conditions. $V_{SUP} = 5.5 V$, $R_{thja} = 250 K/W$ and $I_{SUP} = 10 mA$ the temperature difference $\Delta T = 13.75 K$.

The junction temperature T_J is specified. The maximum ambient temperature T_{Amax} can be estimated as:

$$T_{Amax} = T_{Jmax} - \Delta T$$

Note The calculated self-heating of the devices is only valid for the Rth test boards. Depending on the application setup the final results in an application environment might deviate from these values.

5.2. EMC

HAL 1880 is designed for a stabilized 5 V supply. Interferences and disturbances conducted along the 12 V onboard system (product standard ISO 7637 part 1) are not relevant for these applications.

For applications with disturbances by capacitive or inductive coupling on the supply line or radiated disturbances, the application circuit shown in Fig. 5–1 on page 31 is recommended. Applications with this arrangement should pass the EMC tests according to the product standards ISO 7637 part 3 (electrical transient transmission by capacitive or inductive coupling).

5.3. Application Circuit

For EMC protection, it is recommended to connect a 47 nF capacitor between ground and output voltage pin as well as a 100 nF capacitor between supply and ground as shown in Fig. 5–1.

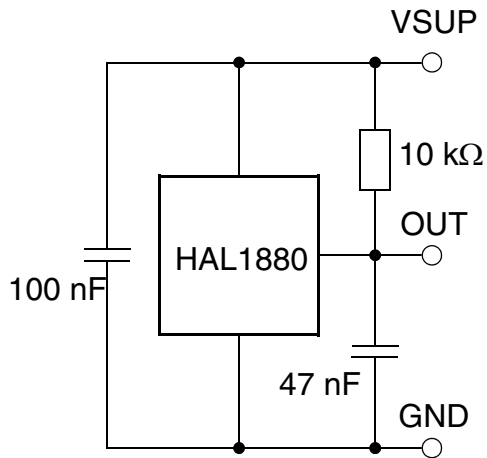


Fig. 5–1: Recommended application circuit

5.4. Temperature Compensation

The relationship between the temperature coefficient of the magnet and the corresponding TC and TCSQ codes for linear compensation is given in the following table. In addition to the linear change of the magnetic field with temperature, the curvature can be adjusted as well. For this purpose, other TC and TCSQ combinations are required which are not shown in the table. Please contact TDK-Micronas for more detailed information on this higher order temperature compensation.

| Temperature Coefficient of Magnet System (ppm/K) | TC | TCSQ |
|--|----|------|
| 2100 | 5 | -9 |
| 1800 | 7 | -8 |
| 1500 | 10 | -8 |
| 1200 | 13 | -6 |
| 900 | 16 | -5 |
| 500 | 20 | -5 |
| 150 | 23 | -4 |
| 0 | 25 | -4 |
| -300 | 28 | -3 |
| -500 | 29 | -3 |
| -750 | 32 | -2 |
| -1000 | 34 | -2 |
| -1500 | 39 | -2 |
| -2100 | 45 | 0 |
| -2700 | 51 | 1 |

Note For development or evaluation purposes TDK-Micronas recommends to use the HAL 1880 / HAL 1890 Programming Environment to find optimal settings for temperature coefficients. Please contact TDK-Micronas for more detailed information.

6. Programming of the Sensor

HAL1880 features two different operating modes. In **Application Mode** the sensor provides a ratiometric analog output voltage. In **Programming Mode** it is possible to change the register settings of the sensor.

After power-up the sensor is always operating in the **Application Mode**. As long as the sensor is not locked it can be switched to the **Programming Mode** by voltage pulse on the sensor OUT pin.

6.1. Programming Interface

In **Programming Mode** the sensor is addressed by modulating a serial telegram on the sensor's output pin or on the sensor's supply voltage. The sensor answers with a modulation of the output voltage.

A logical "0" is coded as no level change within the bit time. A logical "1" is coded as a level change of typically 50% of the bit time. After each bit, a level change occurs (see Fig. 6–1).

The serial telegram is used to transmit the EEPROM content, error codes and digital values of the magnetic field from and to the sensor.

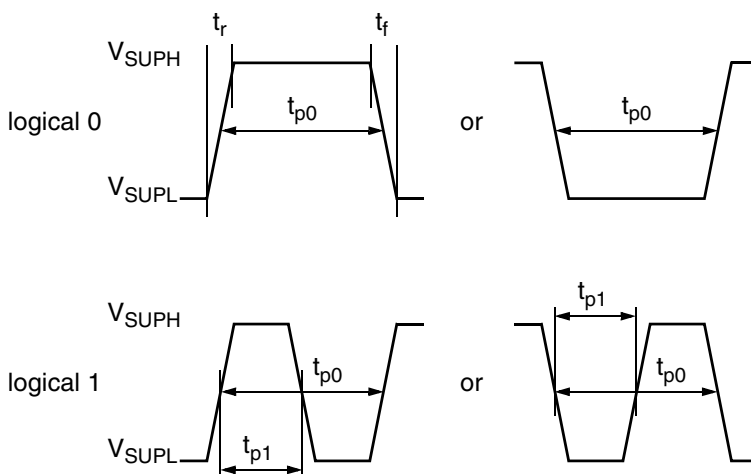


Fig. 6–1: Definition of logical 0 and 1 bit

A description of the communication protocol and the programming of the sensor is available in a separate document (Application Note "HAL 1880 / HAL 1890 Programming Guide").

Table 6–1: Telegram parameters for host (All voltages are referenced to GND.)

| Symbol | Parameter | Pin No. | Limit Values | | | Unit |
|------------------|--|---------|--------------|------|------|----------|
| | | | Min. | Typ. | Max. | |
| V_{SUPL} | Supply Voltage for Low level during programming through sensor VSUP pin | 1 | 5 | – | 6 | V |
| V_{SUPH} | Supply Voltage for High level during programming through sensor VSUP pin | 1 | 8 | – | 9 | V |
| $V_{SUPProgram}$ | Supply Voltage for EEPROM programming | 1 | 5.7 | 6 | 6.5 | V |
| t_{p0} | Bit time if command send to the sensor | 1, 3 | – | 1024 | – | μ s |
| t_{p1} | BiPhase half bit time | 1, 3 | – | 0.5 | – | t_{p0} |
| t_{pOUT} | Bit time for sensor answer | 3 | – | 1024 | – | μ s |

6.2. Programming Environment and Tools

For the programming of HAL1880 during product development a programming tool including hardware and software is available on request. It is recommended to use the TDK MSP V1.x Magnetic Sensor Programmer or TDK-Micronas' tool kit (HAL USB-Kit and LabView™ programming environment) in order to ease the product development. The details of programming sequences can be found in the “HAL 1880/ HAL 1890 User Manual” and in the “HAL 1880 / HAL1890 Programming Guide”.

6.3. Programming Information

For production and qualification tests, it is mandatory to set the LOCK bit after final adjustment and programming of HAL 1880. The lock function is active after the next power-up of the sensor.

The success of the lock process shall be checked by reading the status of the LOCK bit after locking and by a negative communication test after power-on reset.

HAL 1880 features a diagnostic register to check the success and quality of the programming process. Detailed information about programming the sensor can be found in the “HAL 1880 / HAL 1890 User Manual” and in the “HAL 1880 / HAL1890 Programming Guide”.

EMI (Electromagnetic Interference) may disturb the programming pulses. Please take precautions against EMI.

7. Document History

1. Advance Information: “HAL 1880 Programmable Linear Hall-Effect Sensor in TO92 Package”, Aug. 1, 2018, AI000208_001EN. First release of the advance information.
2. Data Sheet: “HAL 1880 Programmable Linear Hall-Effect Sensor in TO92 Package”, March 31, 2020, DSH000198_001EN. First release of the data sheet.
3. Data Sheet: “HAL 1880 Programmable Linear Hall-Effect Sensor in TO92 Package”, July 7, 2020, DSH000198_002EN. Second release of the data sheet.

Major Changes:

- Fig. 4.1 and 4.2: TO92UA package drawings updated
- Characteristics: Response Time of Output $t_{r(O)}$ updated

4. Data Sheet: “HAL 1880 Programmable Linear Hall-Effect Sensor in TO92 Package”, Sept. 8, 2020, DSH000198_003EN. Third release of the data sheet.

Major Changes:

- Features: Range Value updated
- Customer Setup 2 Register: MAG_RANGE comment removed
- Magnetic Characteristics: Range Value updated