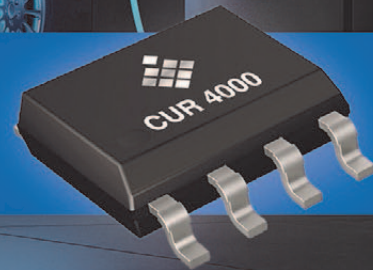


CUR 4000

Flexible Multi-Hall-Array Sensor
for High-Precision Current Sensing



ASIL ready
CUR SENS
Technology



The CUR 4000 is a single-axis contactless magnetic-field sensor for galvanically isolated DC and AC current measurements and can be used in high-voltage battery monitoring systems of hybrid and electric vehicles (xEV).

A flexible Multi-Hall-Array allows linear or differential magnetic-field sensing for contactless and precise current sensing up to ≥ 2000 A.

CUR 4000 can be used for different module concepts like core-based or coreless. In the linear modes of CUR 4000, a configurable array of Hall elements enables highly accurate measurements for core-based stray-field robust sensor-module designs. The differential mode enables small coreless and stray-field robust system designs without shields.

Read-out of the complete Hall array provides an output-offset temperature-drift below ± 0.05 percent full scale. Furthermore, the sensor delivers a hysteresis-free output signal. A non-linearity error of ± 0.2 percent and a noise performance of ± 0.005 percent full scale allows precise current measurements with a signal bandwidth of up to 8 kHz.

Current sensing modules equipped with the CUR 4000 can be programmed directly in-circuit by a microcontroller via SPI interface.

CUR 4000 is defined as ASIL B ready SEooC (Safety Element out of Context) according to ISO 26262.

Major characteristics like gain and offset, etc. can be adjusted to the magnetic circuitry by programming the non-volatile memory. The device is qualified according to AEC-Q100-Rev-H and is designed for automotive applications with operation in an ambient temperature range (T_A) of -40 °C up to $+150$ °C.

CUR 4000 is available in a small eight-pin SOIC8 SMD package.

Features

- ◆ Non-intrusive, galvanically isolated contactless current measurement
- ◆ High-precision, linear magnetic field sensing with flexible Hall plates array for core-based current sensing
- ◆ Differential magnetic-field (stray-field compensated) coreless current sensing without shields
- ◆ ASIL B ready (SEooC according to ISO 26262)
- ◆ Signal bandwidth up to 8 kHz
- ◆ Programmable linearization with 33 equidistant or 17 variable setpoints

- ◆ Programmable adjustment and temperature compensation for gain and offset
- ◆ Low-power mode with wake-up functionality
- ◆ SPI interface for calibration, test, and debugging via microcontroller
- ◆ Digital 16-bit readout of magnetic-field information via SPI (up to 5 MHz)
- ◆ ± 100 mT magnetic-field range
- ◆ Operates from -40 °C up to 150 °C (T_A)
- ◆ Operates from 3.0 V up to 5.5 V
- ◆ Programmable clamping threshold
- ◆ Over-/undervoltage detection on VSUP
- ◆ Overtemperature supervision
- ◆ Reverse-/overvoltage protection at VSUP
- ◆ Magnetic-field-out-of-range detection
- ◆ SOIC8 SMD package
- ◆ Qualified according to AEC-Q100-Rev-H

CUR 4000

MICRONAS

Development Tools

CUR 4000 can be programmed and calibrated via SPI during the final manufacturing process by adjusting the output signals directly to the input signal.

TDK-Micronas offers an easy-to-use evaluation kit for engineering.

- ◆ TDK SPI Programmer V1.x
- ◆ TDK extension board
- ◆ LabVIEW™ programming software for Windows® including Sub VIs

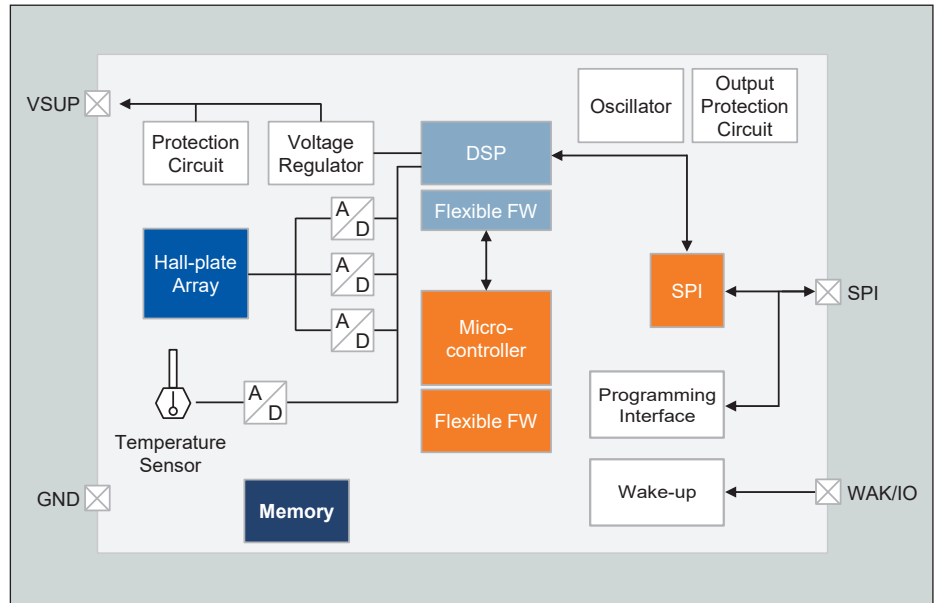


Fig. 1: Block diagram of the CUR 4000

CUR 4000 Versions

Type	Measurement
CUR4000DJ0000	Linear (Multi Hall Plates)
CUR4000DJ0001	Differential or Linear (Dual Hall Plates)

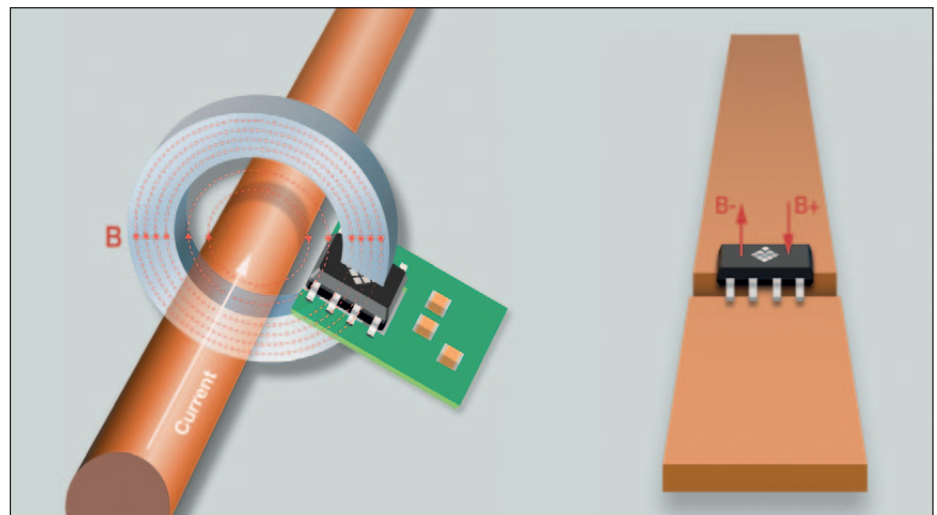


Fig. 2: Sensor application setup

All information and data contained in this product information are without any commitment, are not to be considered as an offer for conclusion of a contract, nor shall they be construed as to create any liability. Product or development sample availability and delivery are exclusively subject to our respective order confirmation form. By this publication, TDK-Micronas GmbH does not assume responsibility for patent infringements or other rights of third parties which may result from its use.

No part of this publication may be reproduced, photocopied, stored on a retrieval system, or transmitted without the express written consent of TDK-Micronas GmbH.

Edition Sept. 25, 2021; Order No. PI000164_004EN